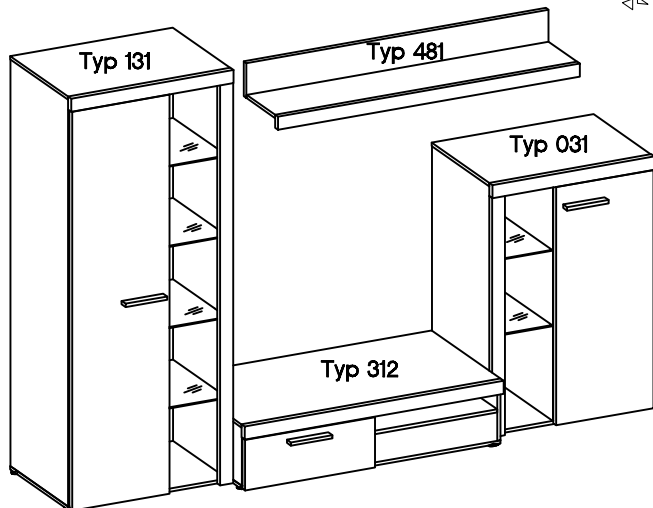
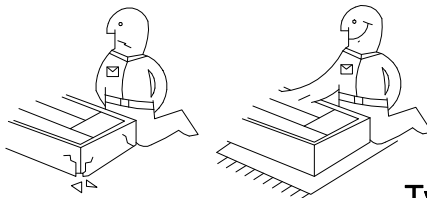
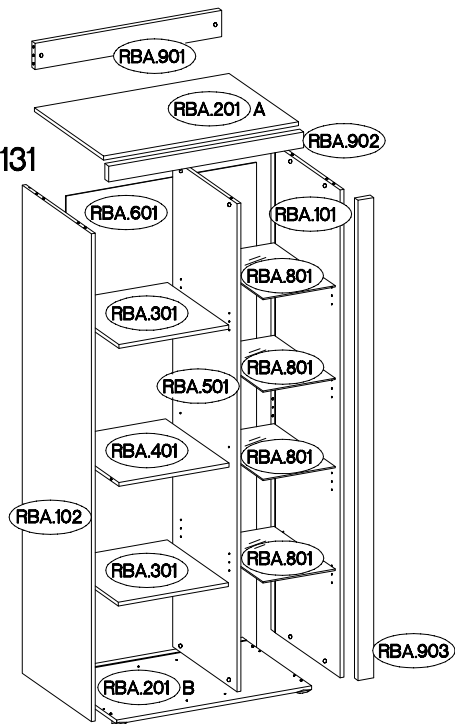


ROCHESTER

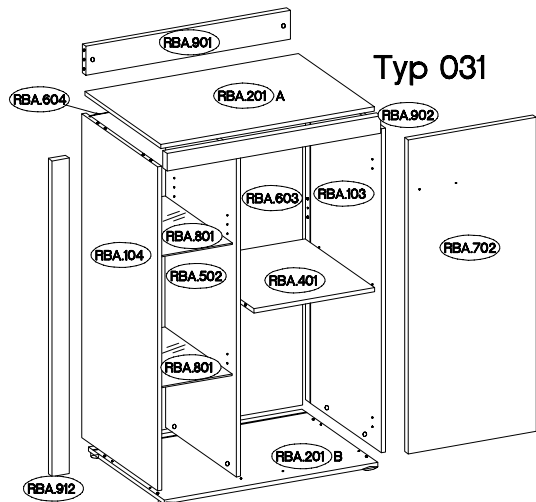


Typ 131

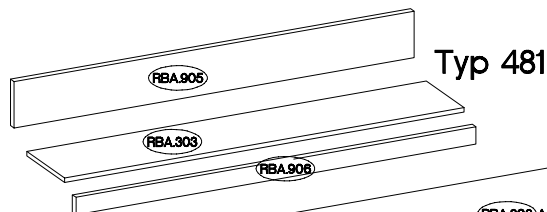


RBA.701

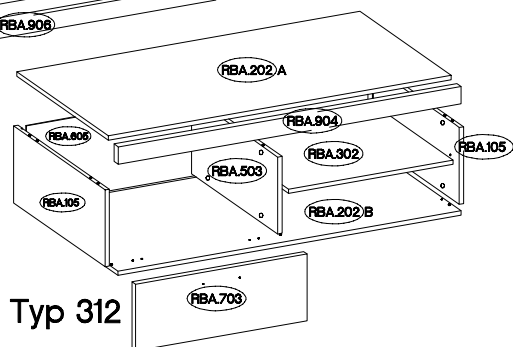
1/3	031	RBA.103	1120x320x15
		RBA.104	1120x320x15
		RBA.604	291x1129x2,5
		RBA.912	1091x60x16
	312	RBA.105	265x384x15
		RBA.202	1200x384,5x15
		RBA.302	576x357x15
		RBA.503	265x362x15
		RBA.605	595x274x2,5
		RBA.703	601x230x15
	481	RBA.904	1200x60x18
		RBA.303	1398x160x15
		RBA.905	1400x160x15
2/3	131	RBA.906	1400x60x16
		RBA.201	750x320,5x15 x2
		RBA.301	423x283x14 x2
		RBA.401	424x293x15
		RBA.901	718x100x15
	031	RBA.902	750x60x18
		RBA.201	750x320,5x15 x2
		RBA.401	424x293x15
		RBA.502	1120x298x15
		RBA.603	436x1129x2,5
		RBA.702	450x1085x15
		RBA.901	718x100x15
		RBA.902	750x60x18
RBA.801	278x283x5 x6		
3/3	312	RBA.101	1850x320x15
		RBA.102	1850x320x15
		RBA.501	1850x298x15
		RBA.601	436x1859x2,5
		RBA.602	291x1859x2,5
		RBA.701	450x1815x15
RBA.903	1821x60x16		



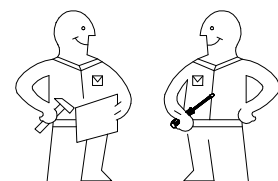
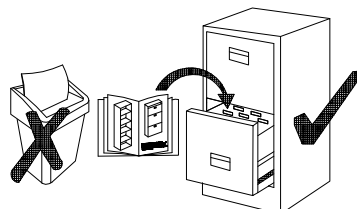
Typ 031

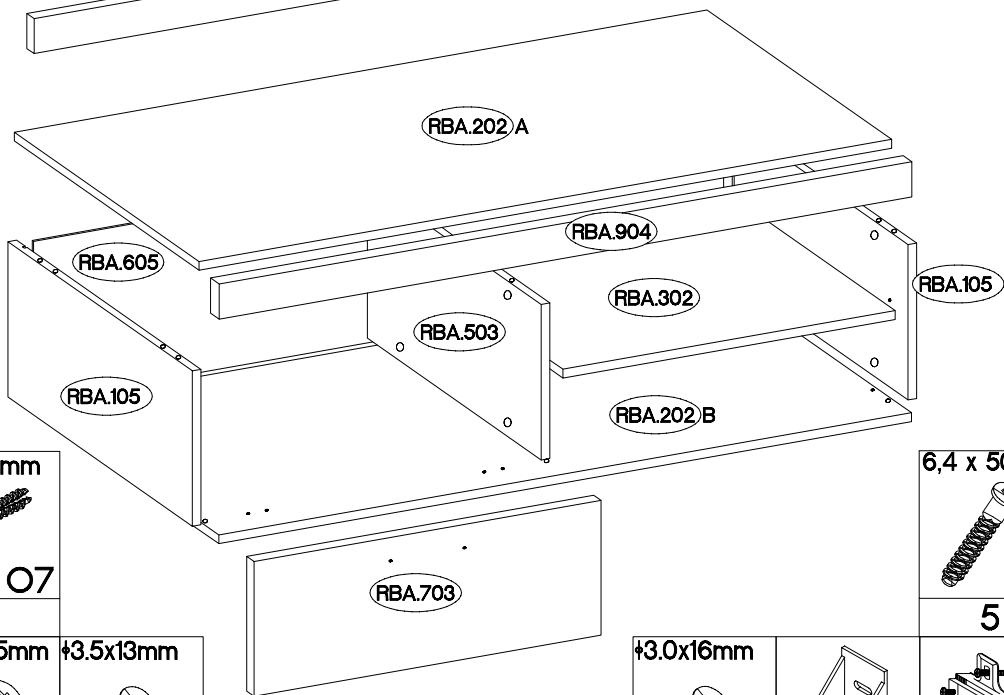
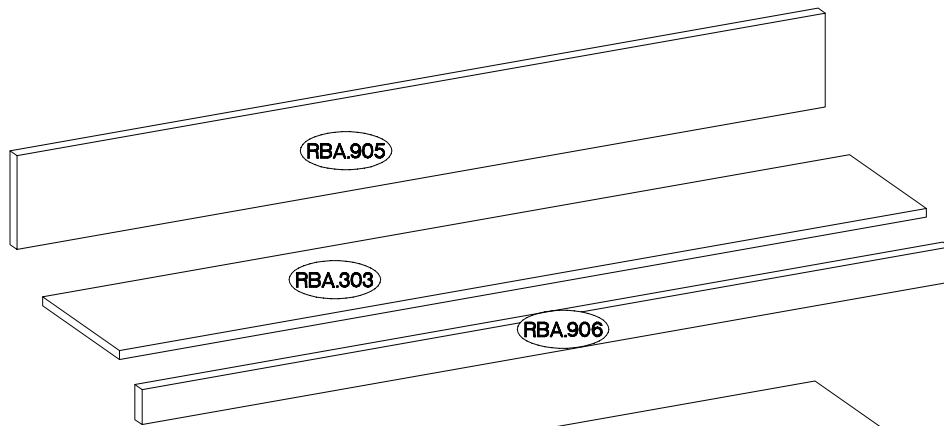
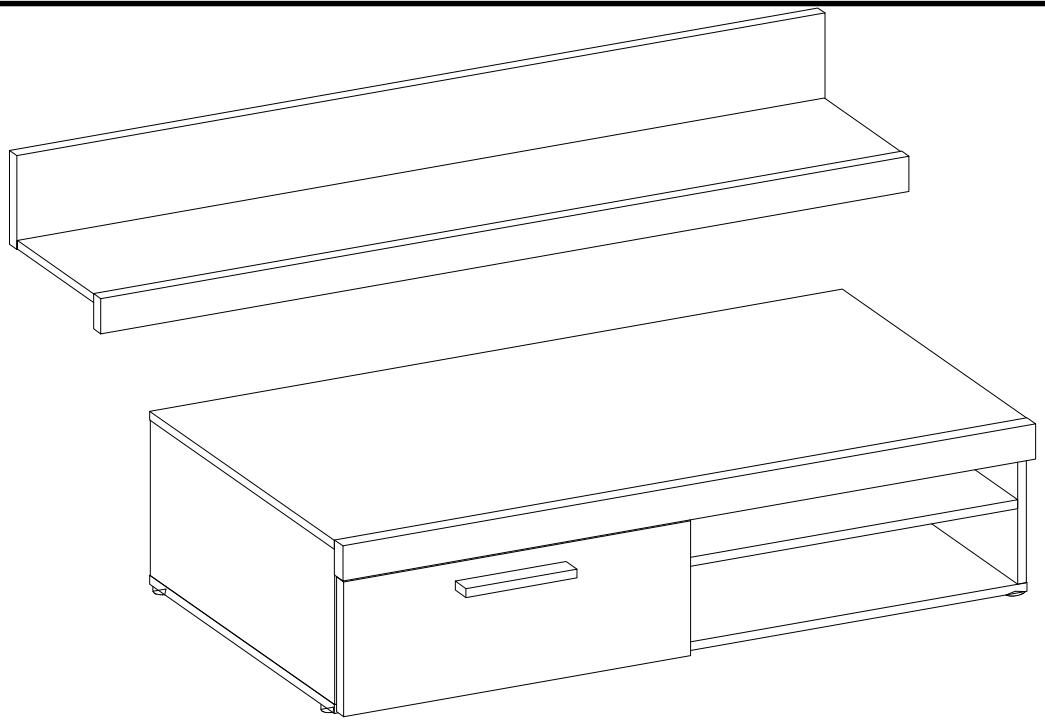





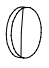
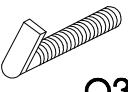

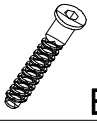
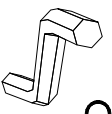
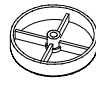
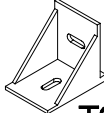
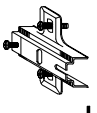
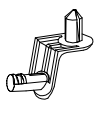



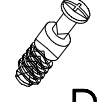

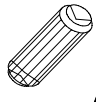
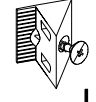
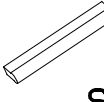

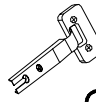
Typ 481




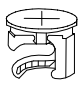
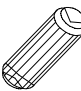
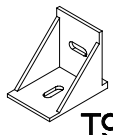
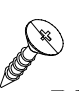
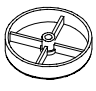

Typ 312

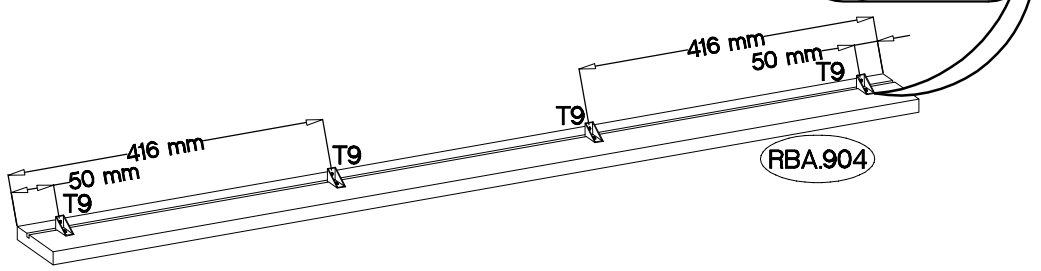
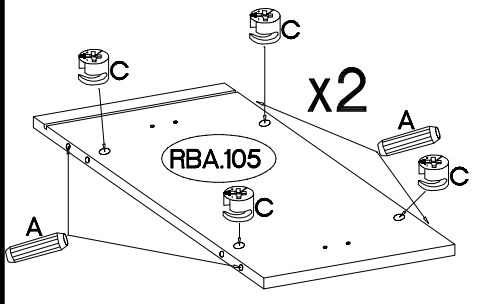
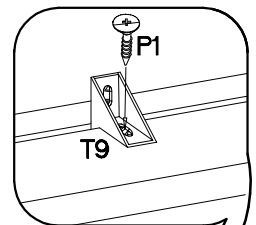
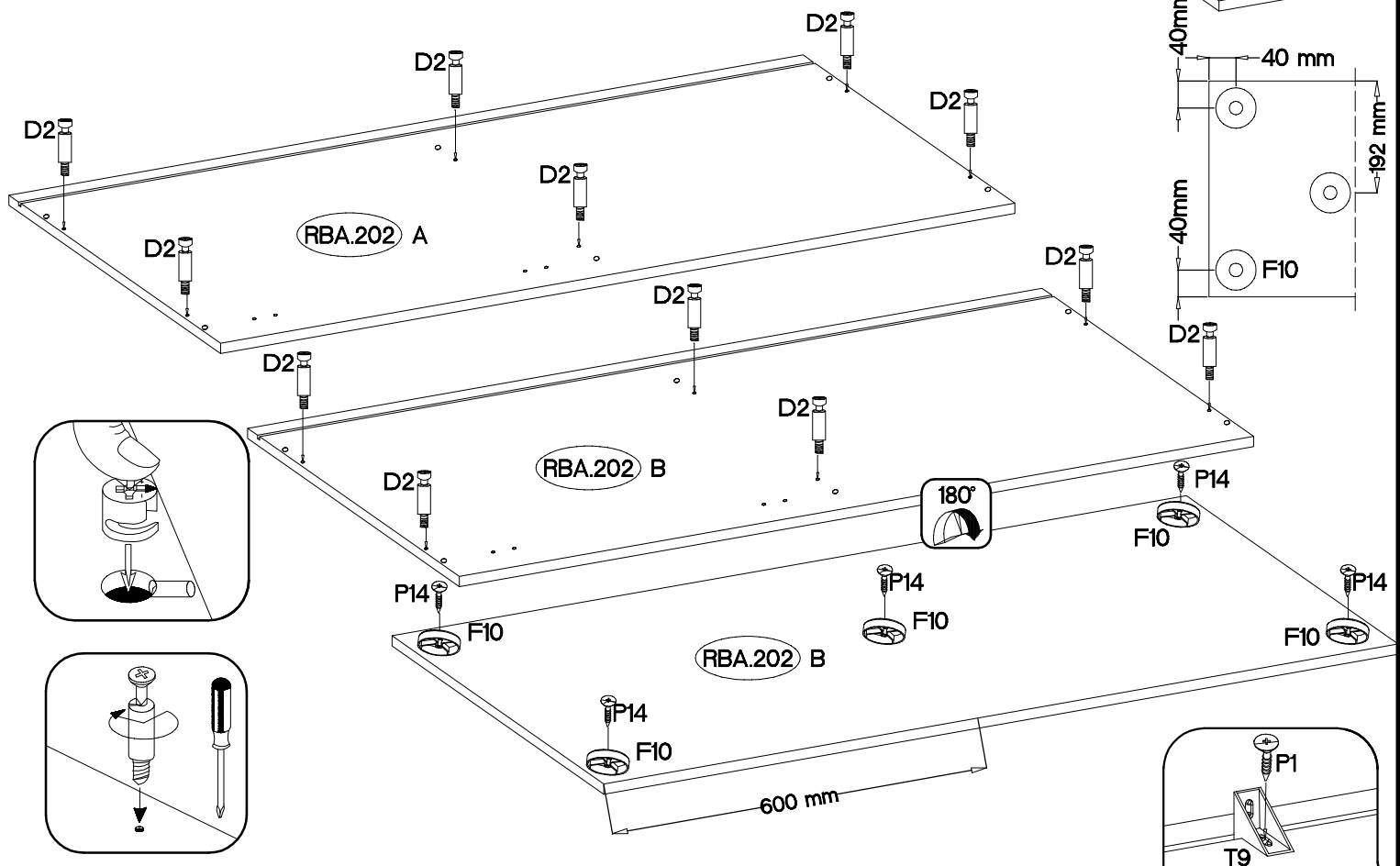
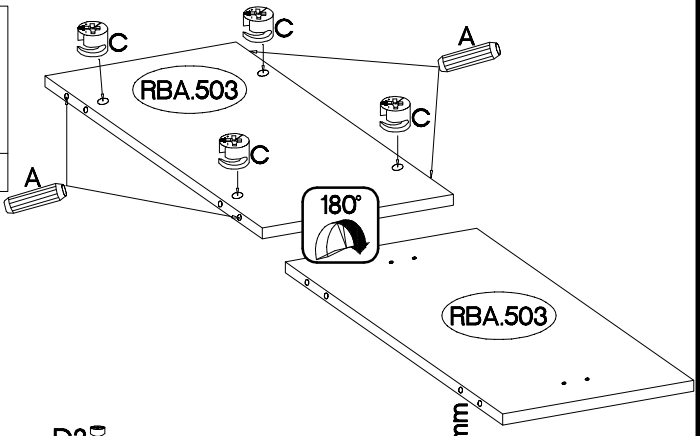





										
12									M4	
										
2									J5	
5/45mm	†10x50mm							6,4 x 50mm		
										
O3	O7							B	O	
2	2							5	1	
	†4.0x25mm	†3.5x13mm					†3.0x16mm			
F10	P14	P5					P11	T9	H	J1
5	5	7					3	8	2	4
†4.0x30mm	†4.0x16mm	†3.0x20mm	L=20mm	†15/12mm	†8x30mm			L=128mm	†35/0mm	
										
R2	P1	P7	D2	C	A	L	S1	K13	G	
2	16	2	12	12	12	5	1	1	2	

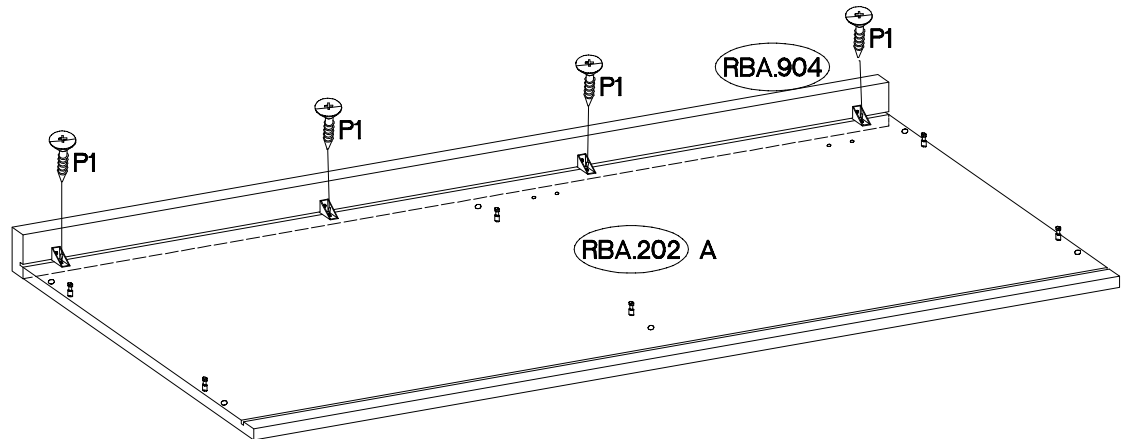
1

L=20mm  D2 12	±15/12mm  C 12	±8x30mm  A 12	 T9 4	±4.0x16mm  P1 4
 F10 5		 P14 5		

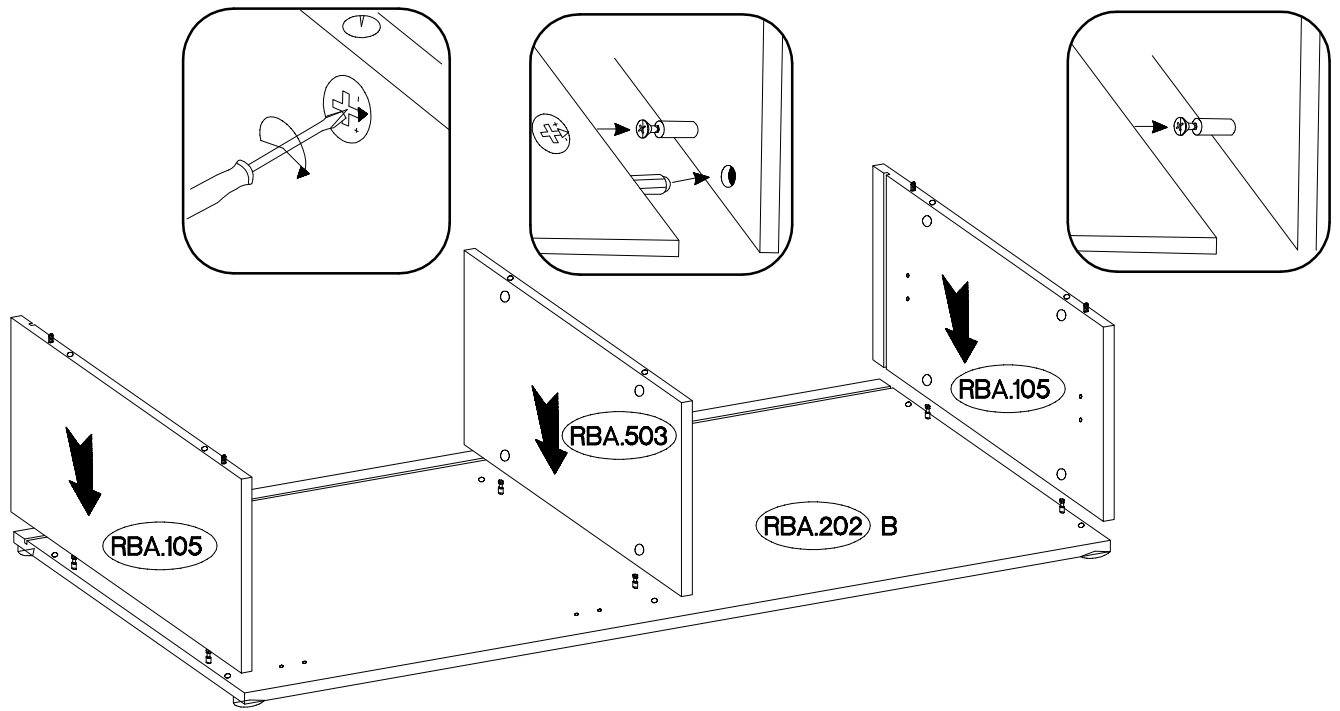


2

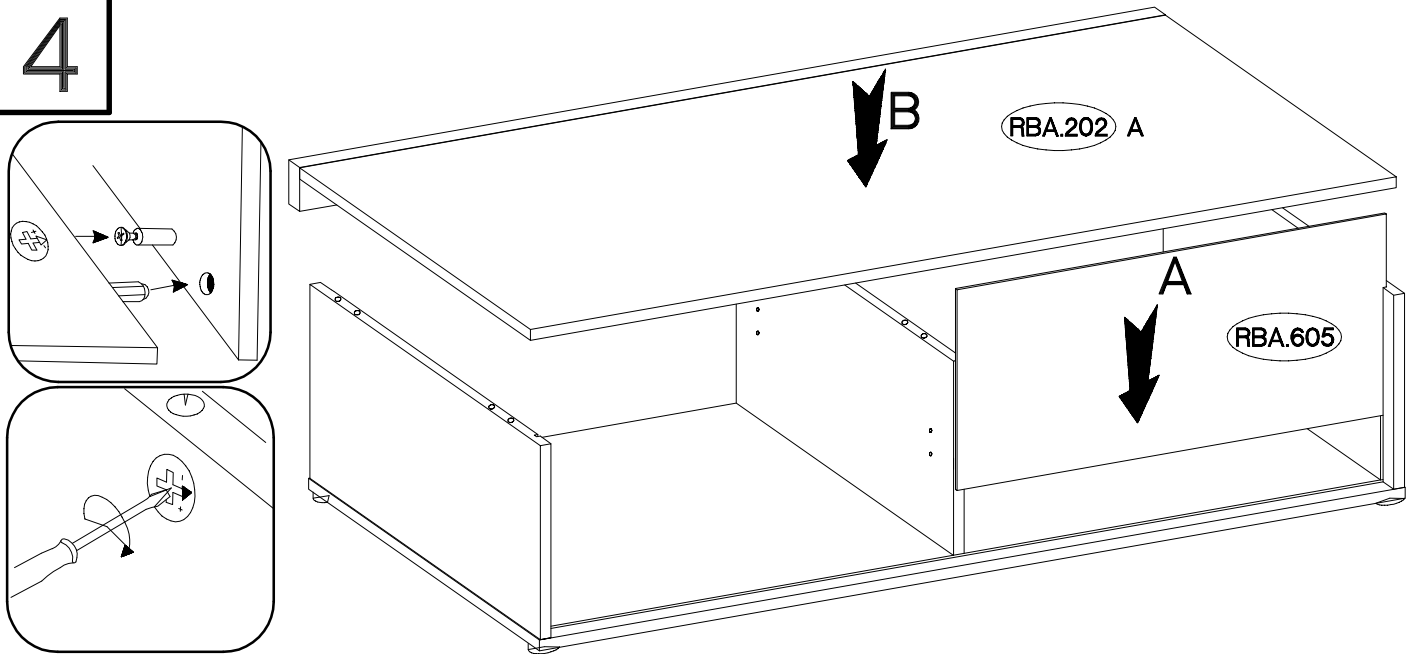
±4.0x16mm  P1 4



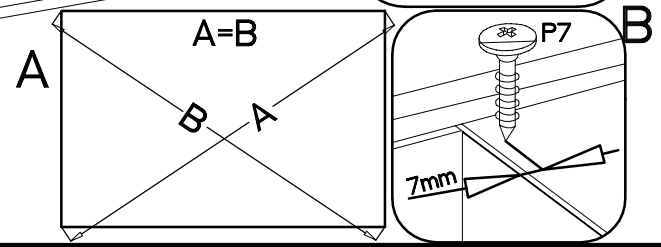
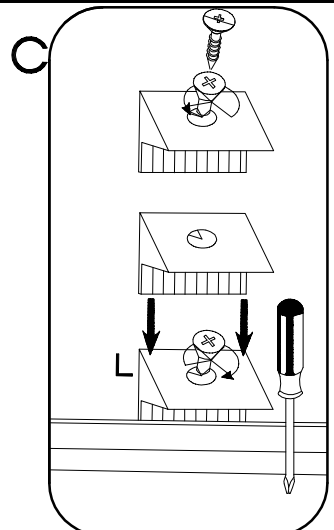
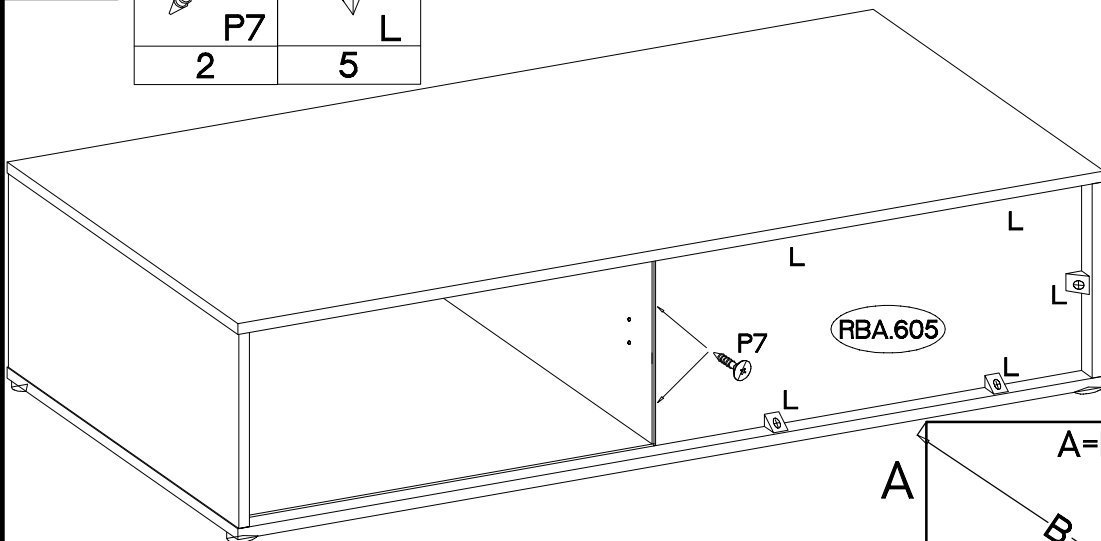
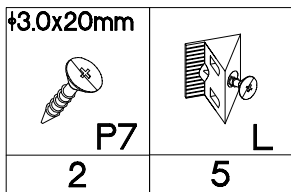
3



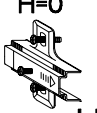


4

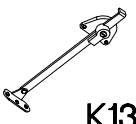


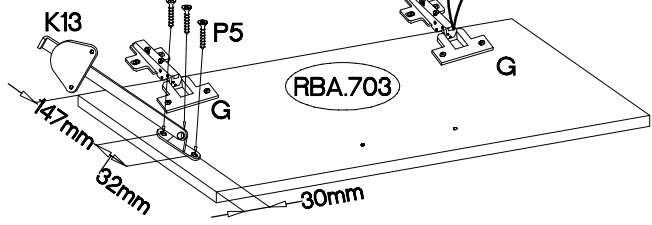
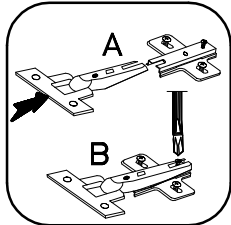
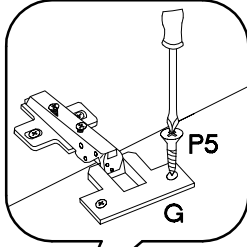
5



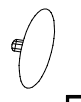

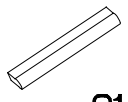
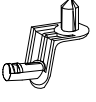
6


H=0  H	+35/0mm  G	+3.5x13mm  P5
2	2	4

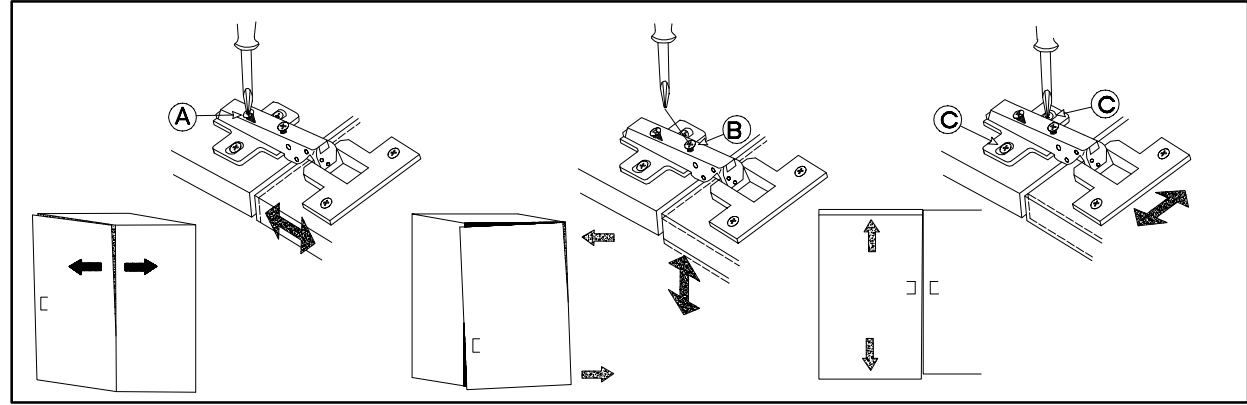
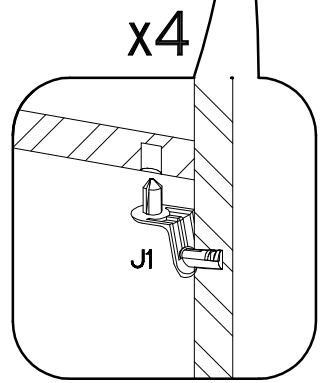
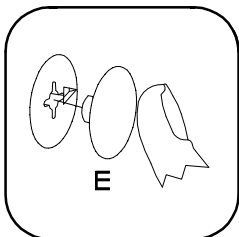
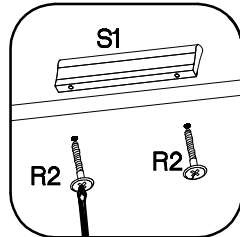
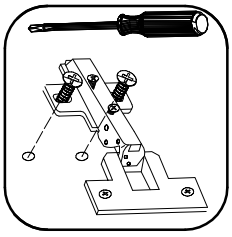
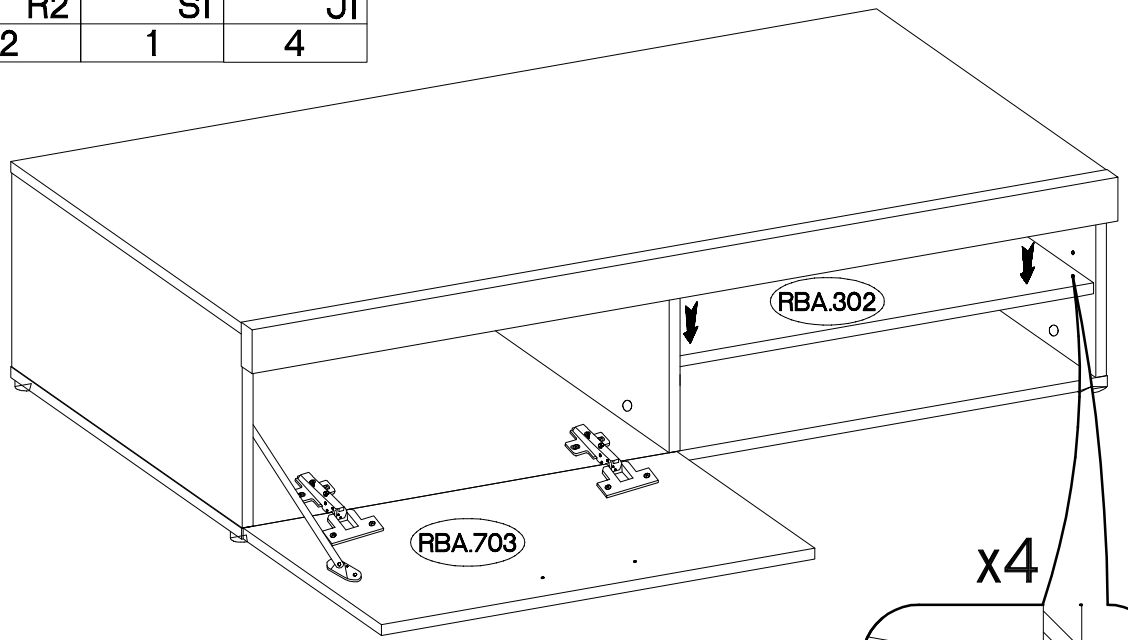
 K13
1






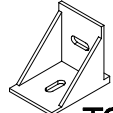

7

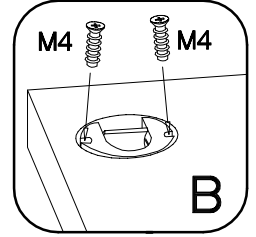
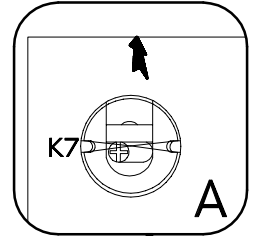
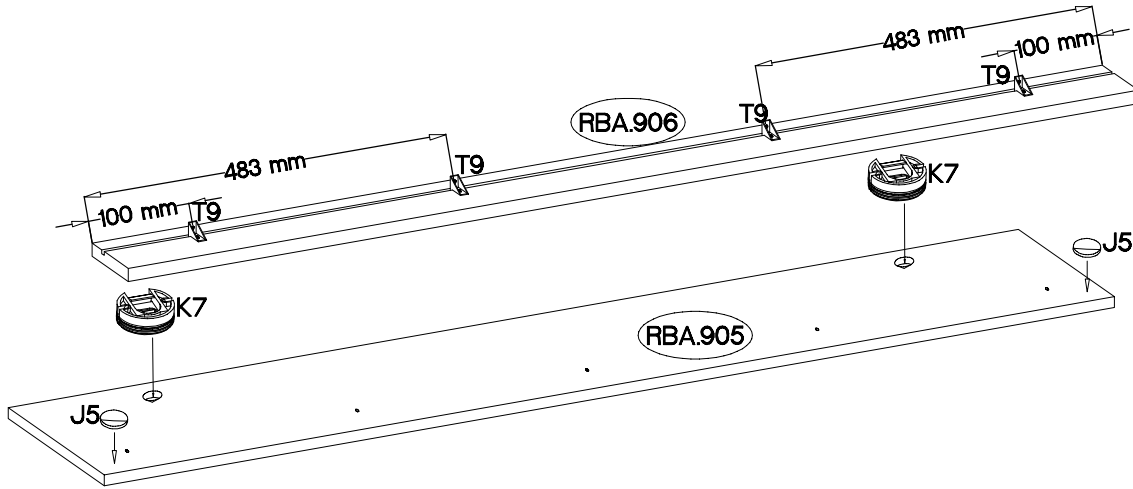
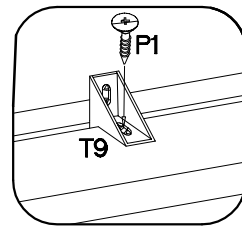
 E	+4.0x30mm  R2	L=128mm  S1	 J1
12	2	1	4

+3.0x16mm  P11
3




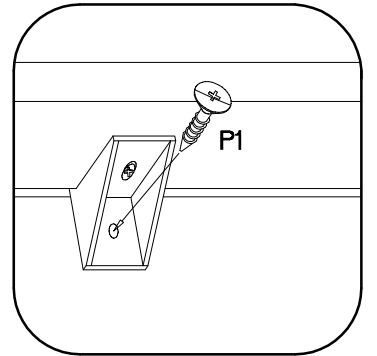
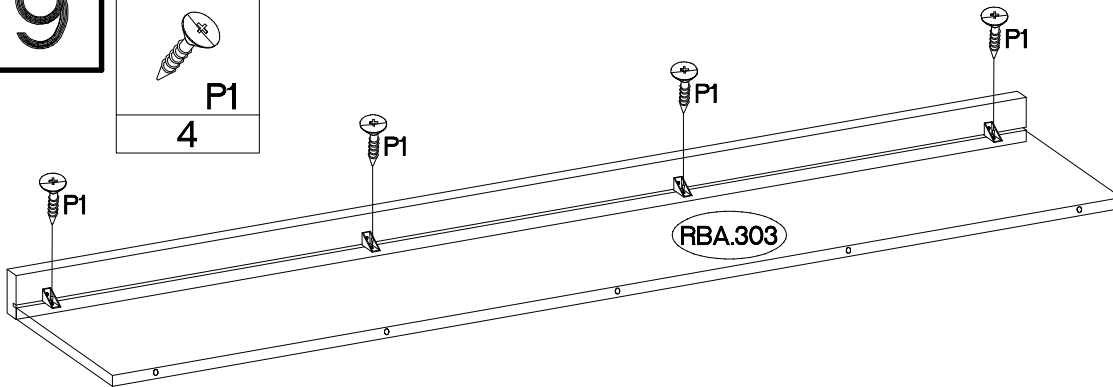
8

	 $\pm 6,3 \times 9 \text{ mm}$	 $\pm 7/2 \text{ mm}$		 $\pm 4.0 \times 16 \text{ mm}$
K7	M4	J5	T9	P1
2	4	2	4	4


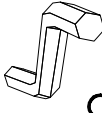


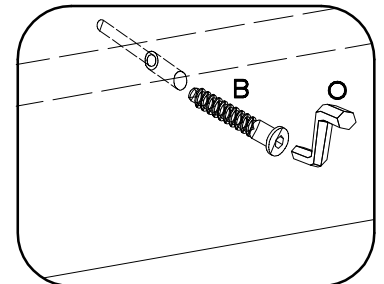
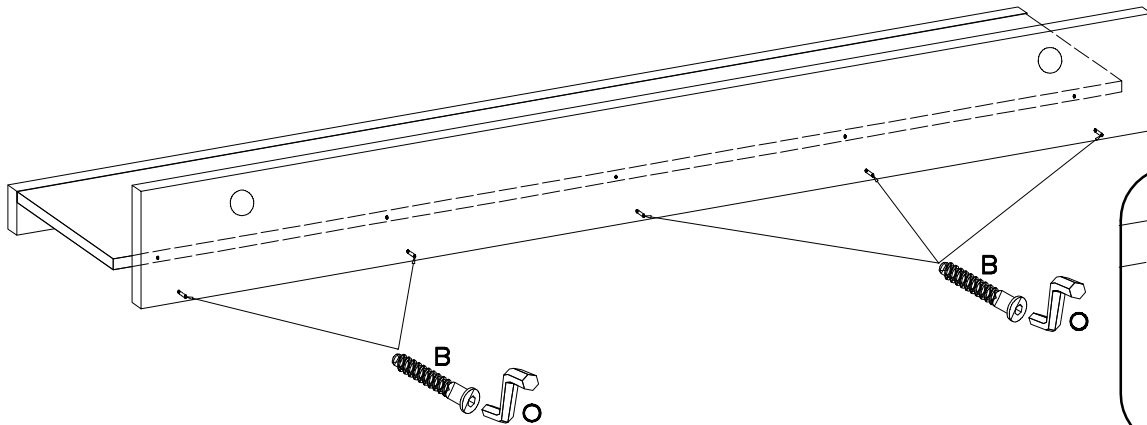
9

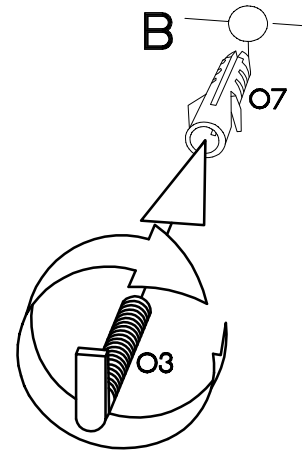
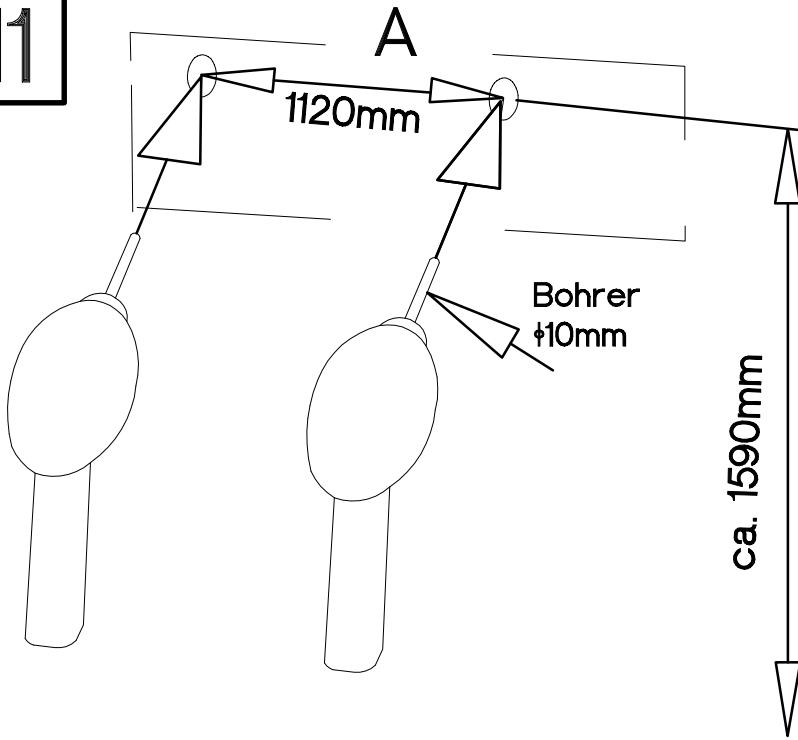
 $\pm 4.0 \times 16 \text{ mm}$
P1
4





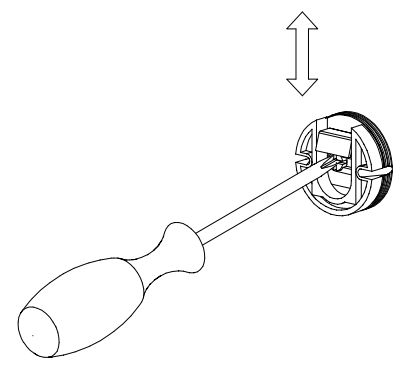
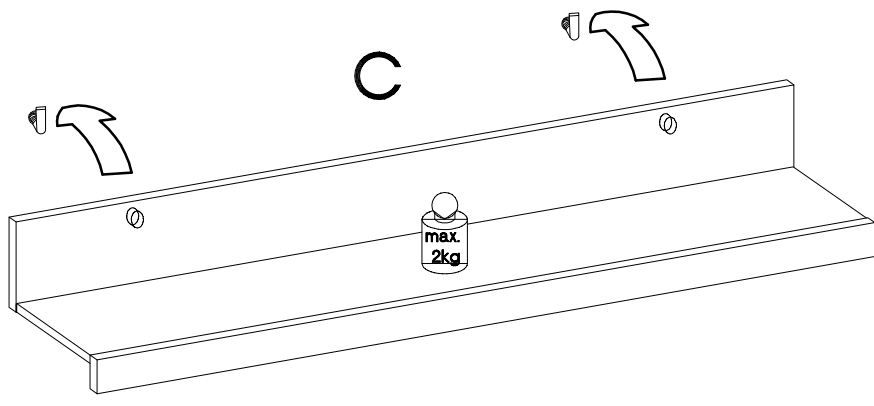
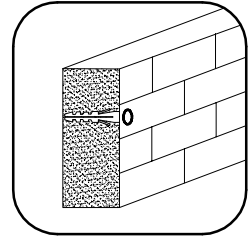
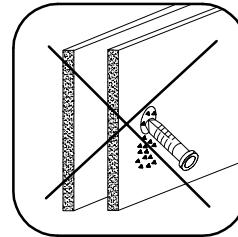
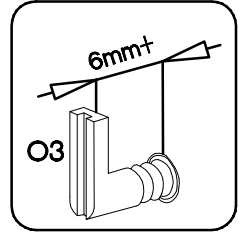
10

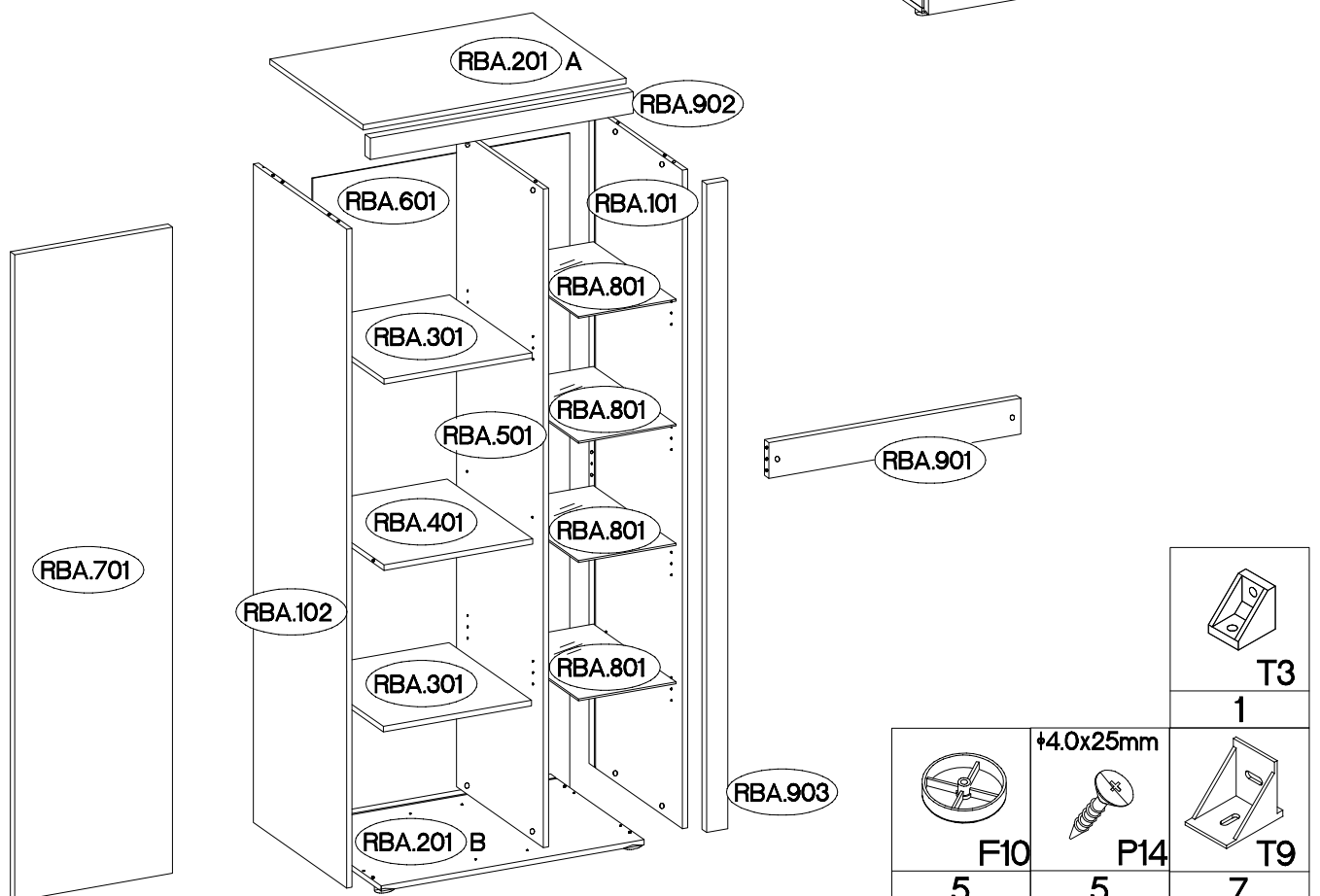
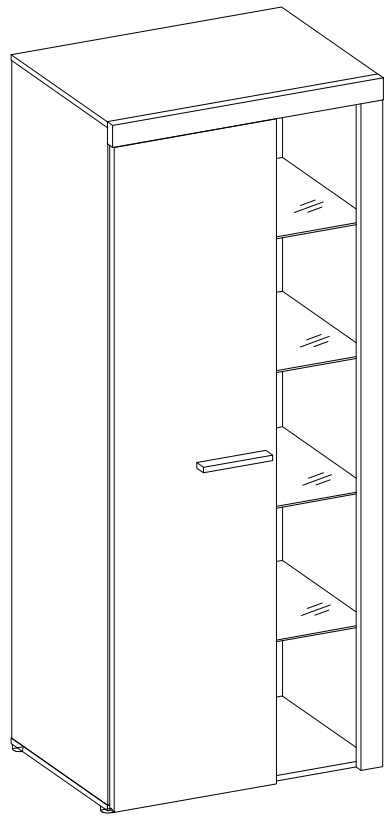
 $6,4 \times 50 \text{ mm}$	
B	O
5	1

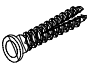
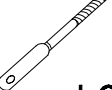
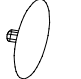


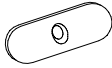

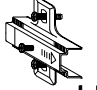
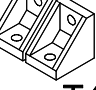

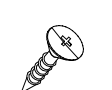

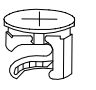
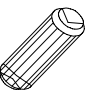
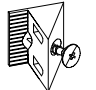
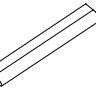
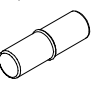
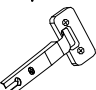







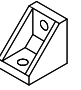
5/45mm	$\phi 10 \times 50\text{mm}$
	
O3	O7
2	2



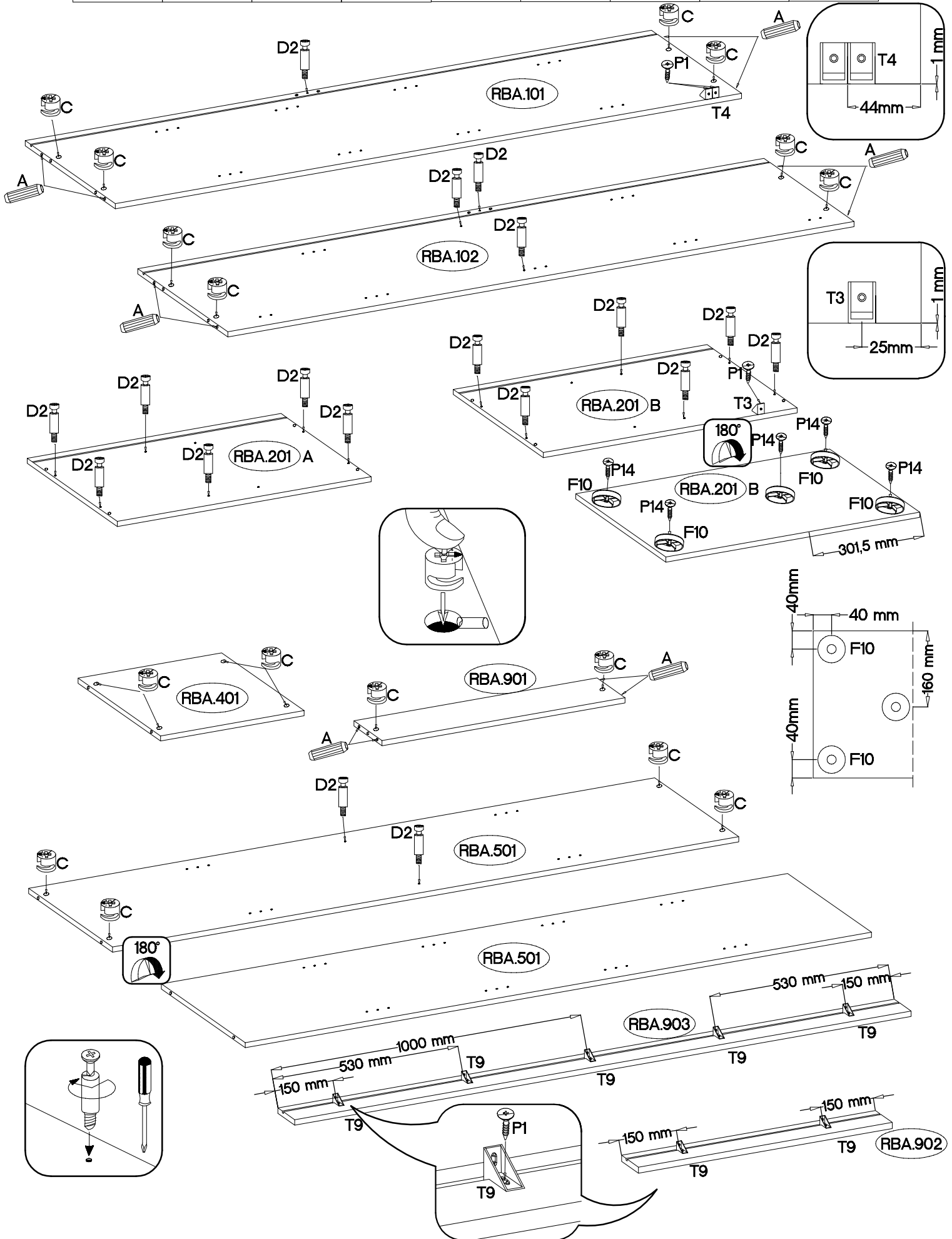


 O7	 L9	 E	 J12	 P5	 L2	 P1	 H	 T4
1	1	16	16	7	10	20	3	1
 R2	 P7	 D2	 C	 A	 12	 S1	 J3	 G
2	9	18	18	12	12	1	8	3

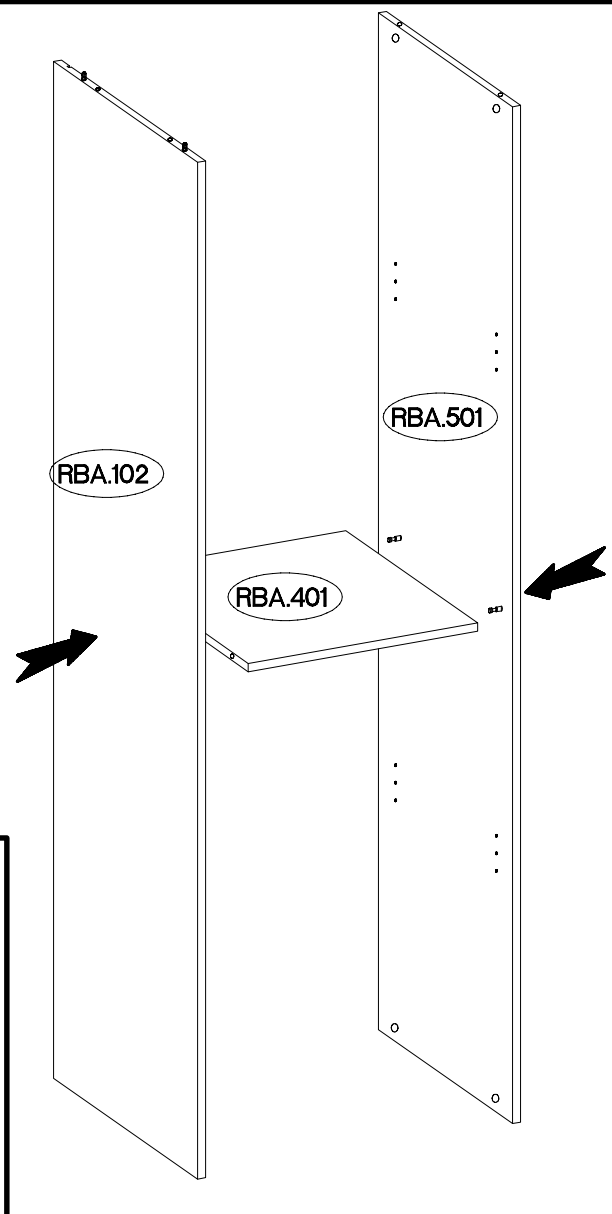
 F10	 P14	 T9
5	5	7

 T3
1

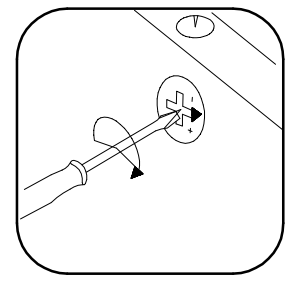
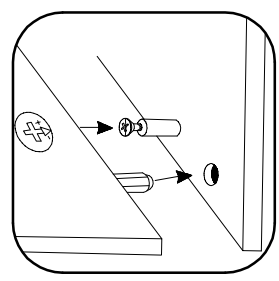
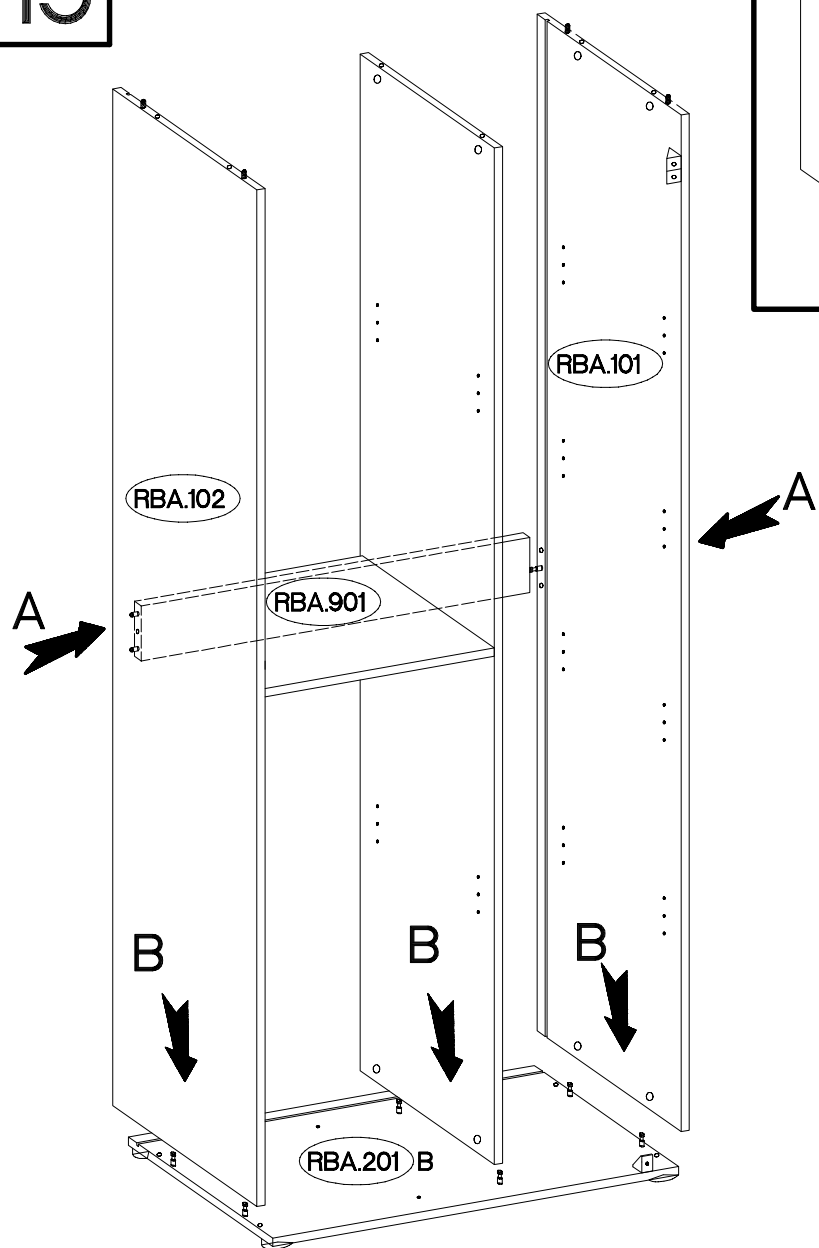
L=20mm	+15/12mm	+8x30mm				+4.0x16mm		+4.0x25mm
D2	C	A	T9	T4	T3	P1	F10	P14
18	18	12	7	1	1	10	5	5



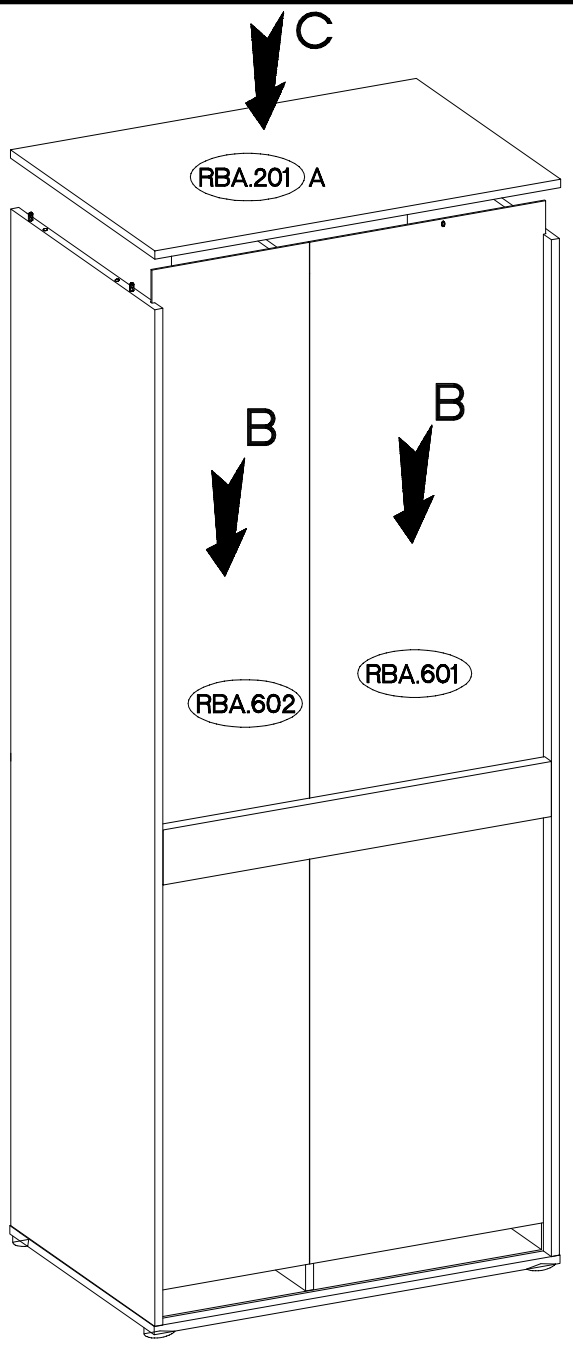
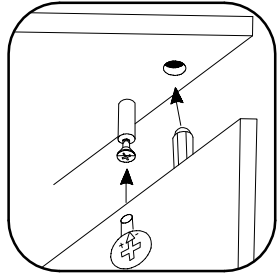
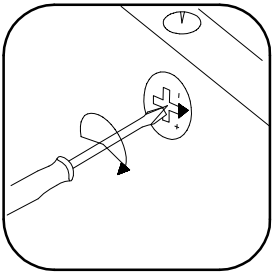
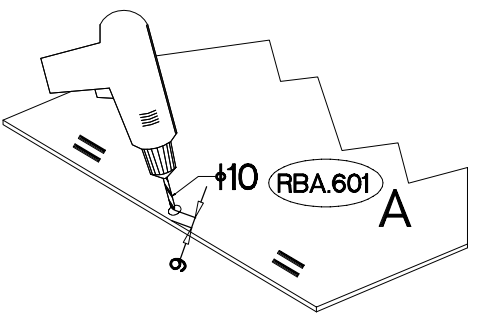
14



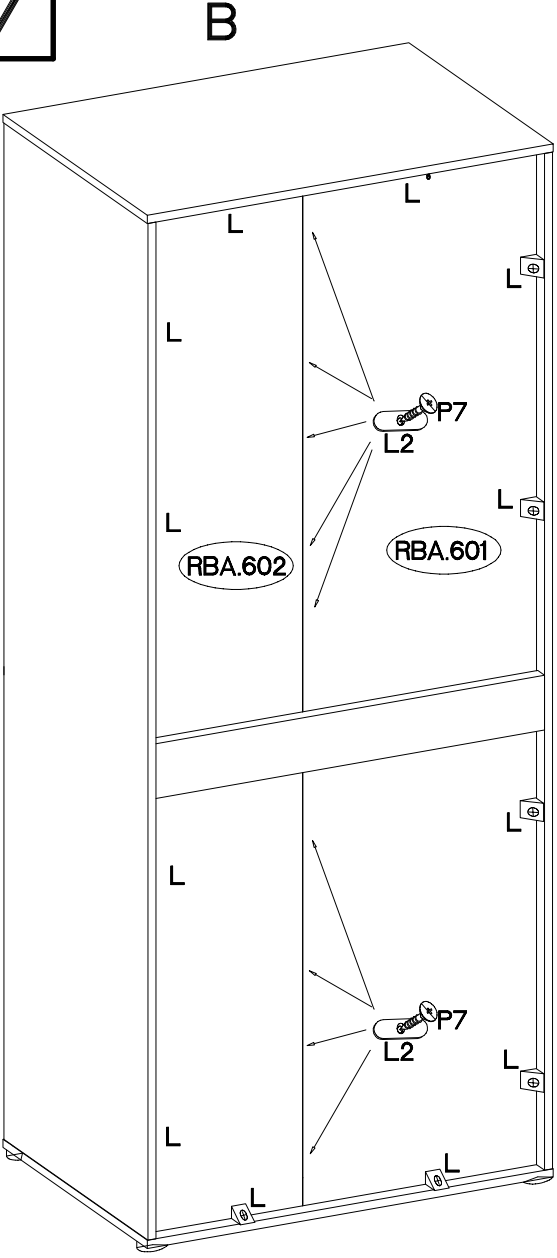
15



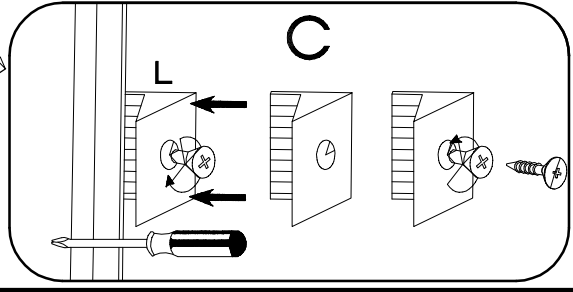
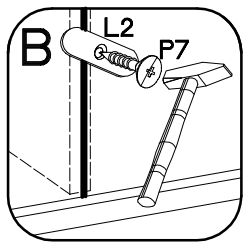
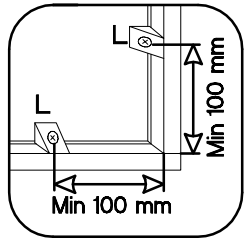
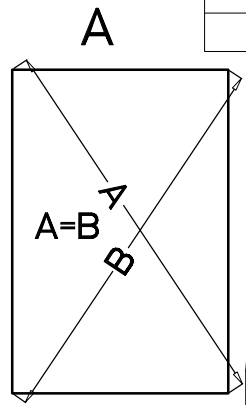
16




17

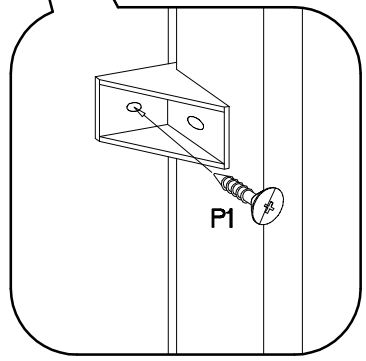
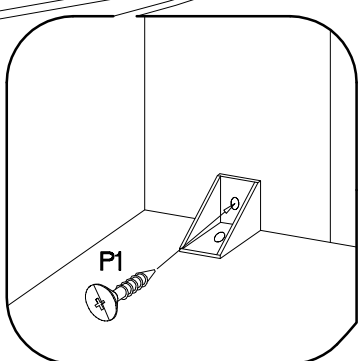
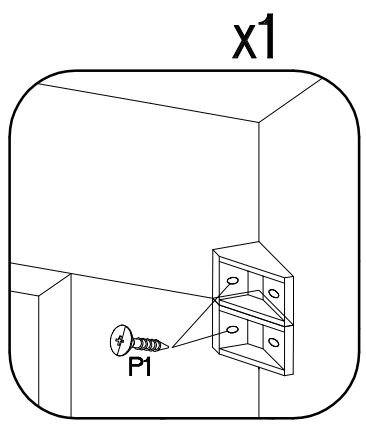
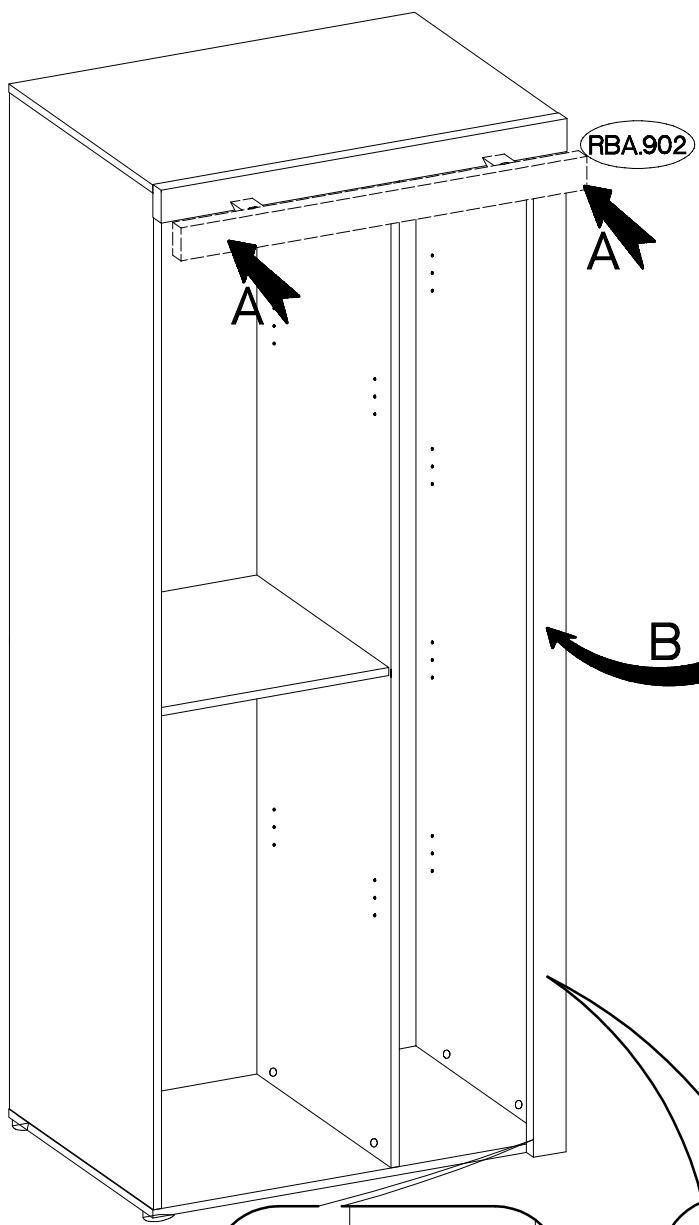


φ3.0x20mm		
P7	L2	L
9	9	12

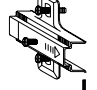
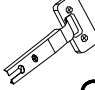



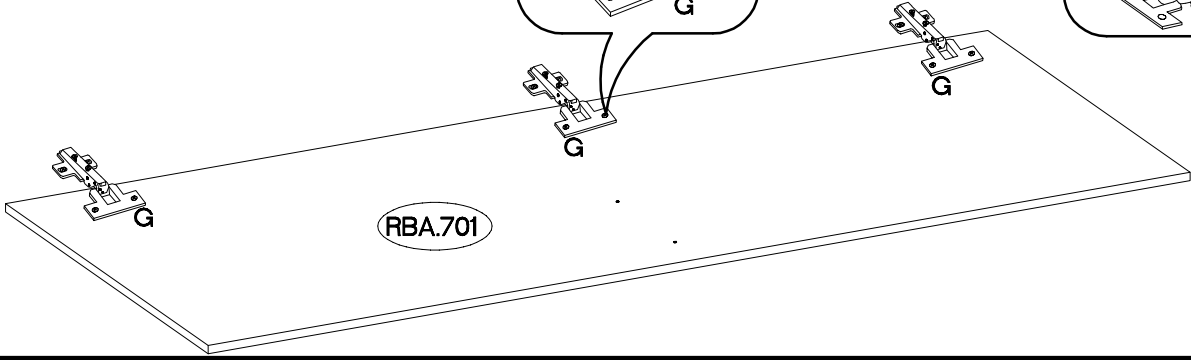
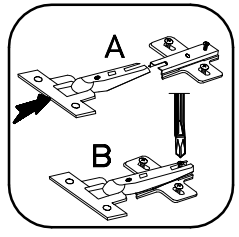
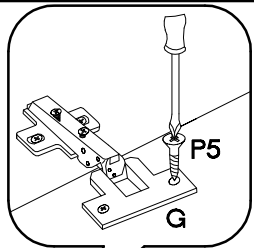
18

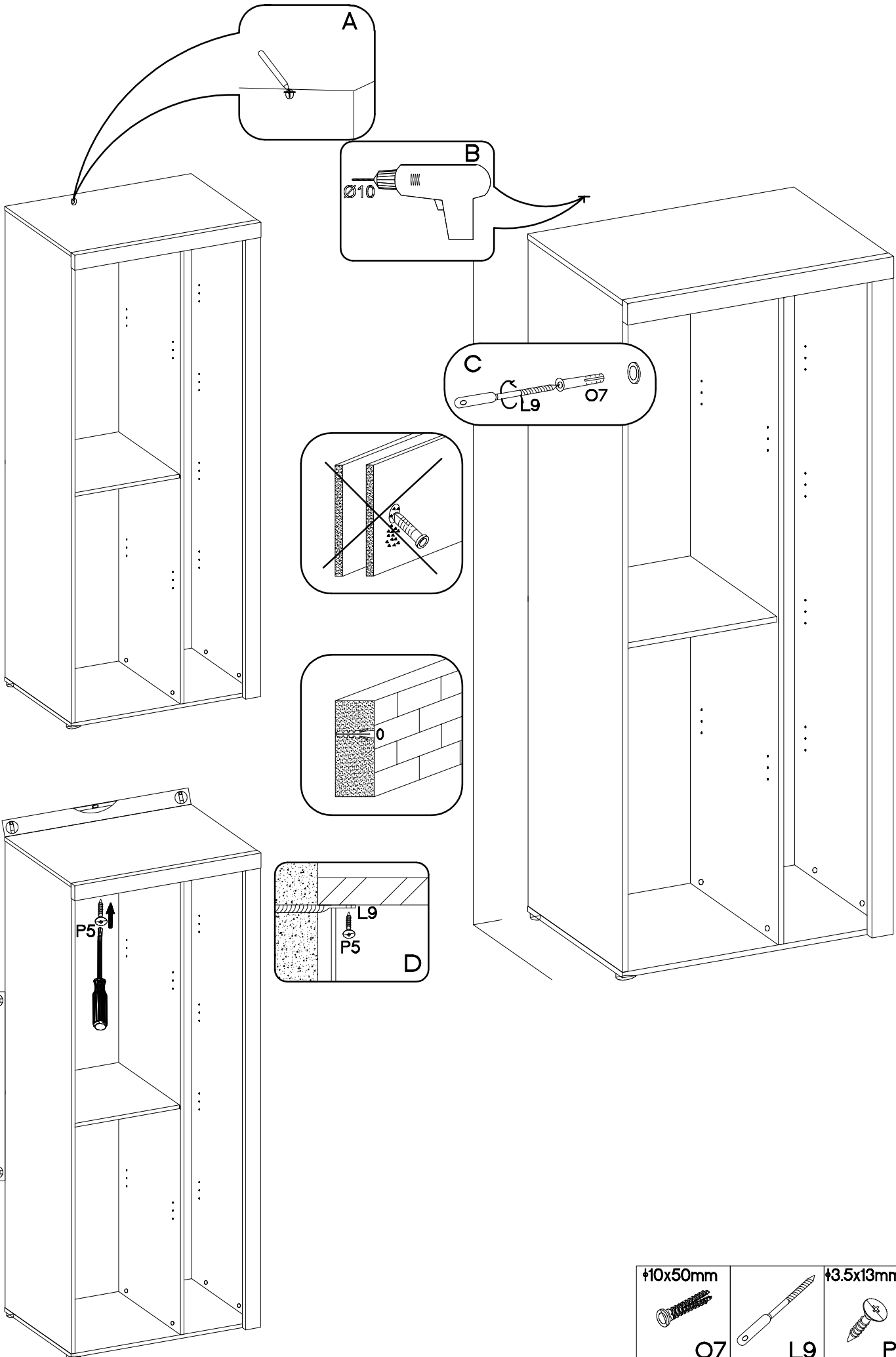
4.0x16mm

P1
10



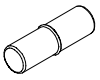


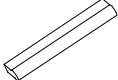
19

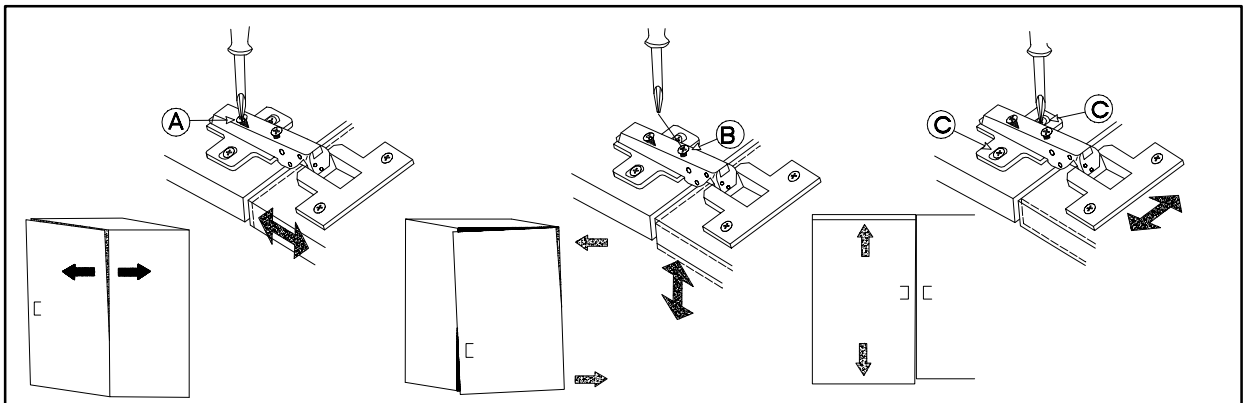
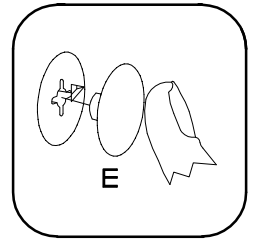
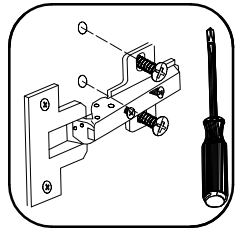
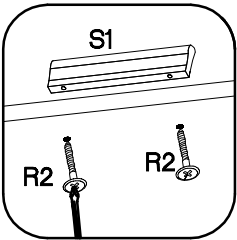
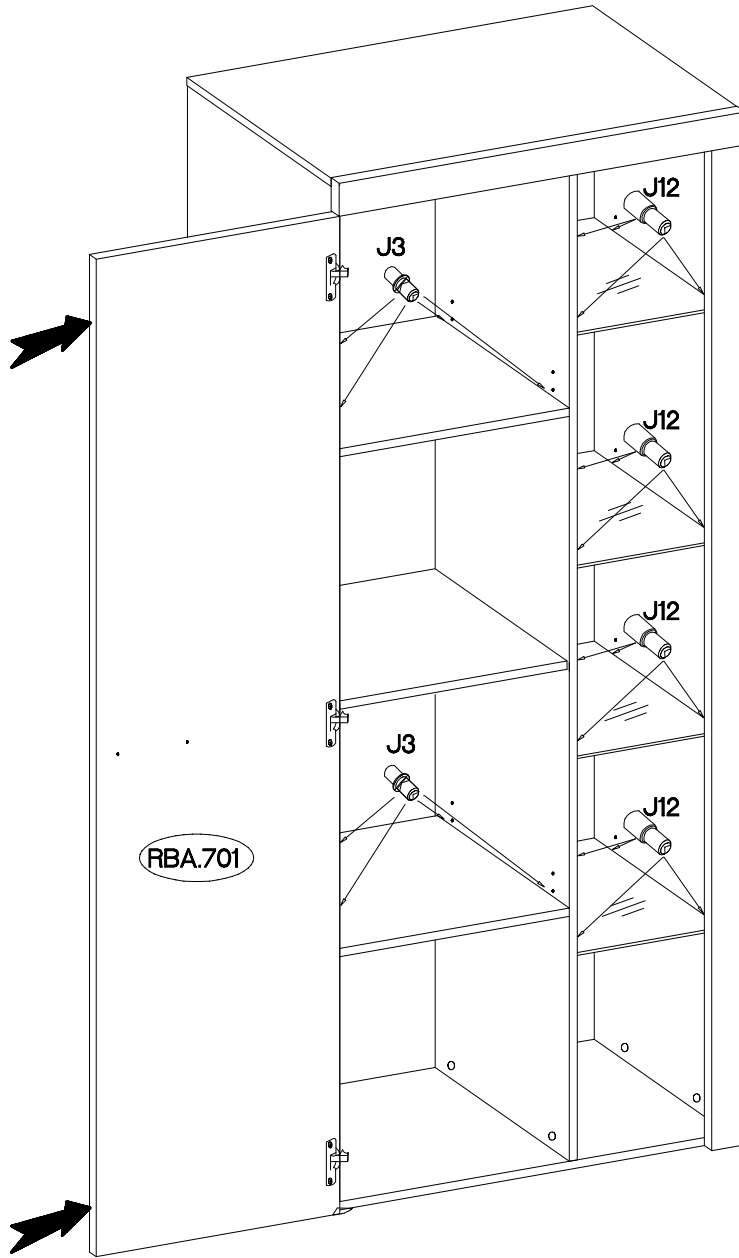
H=0	35/0mm	3.5x13mm
		
H	G	P5
3	3	6

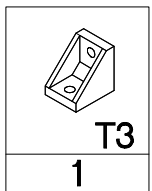
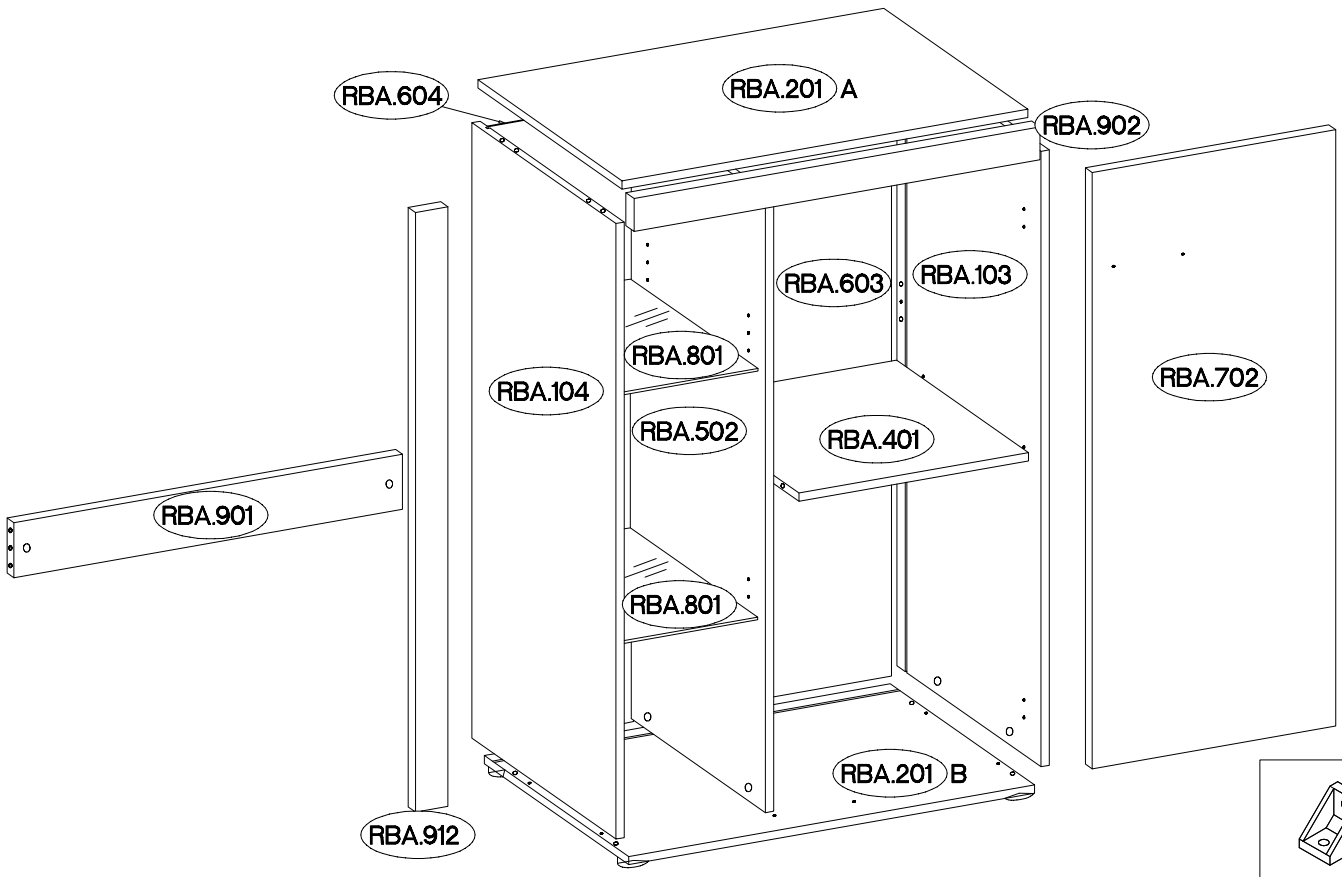
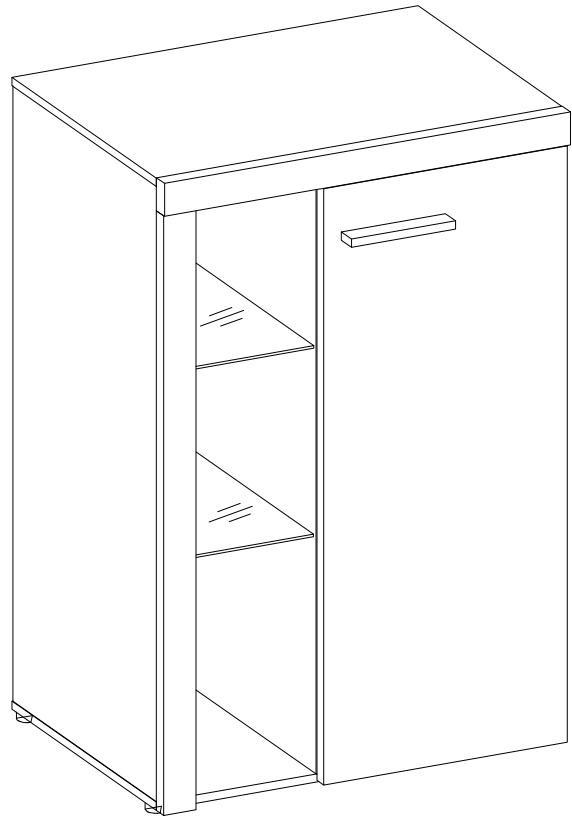




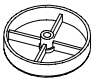


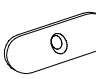

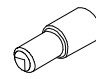

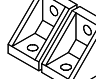





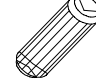
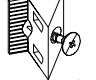
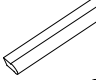

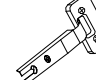



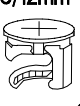
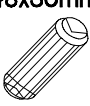

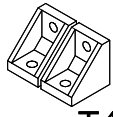
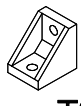
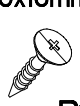
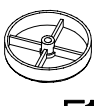

21

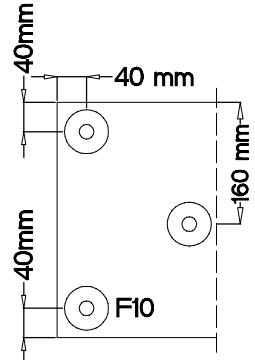
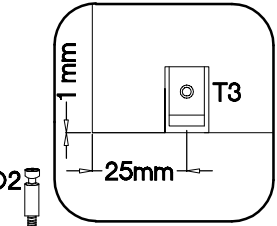
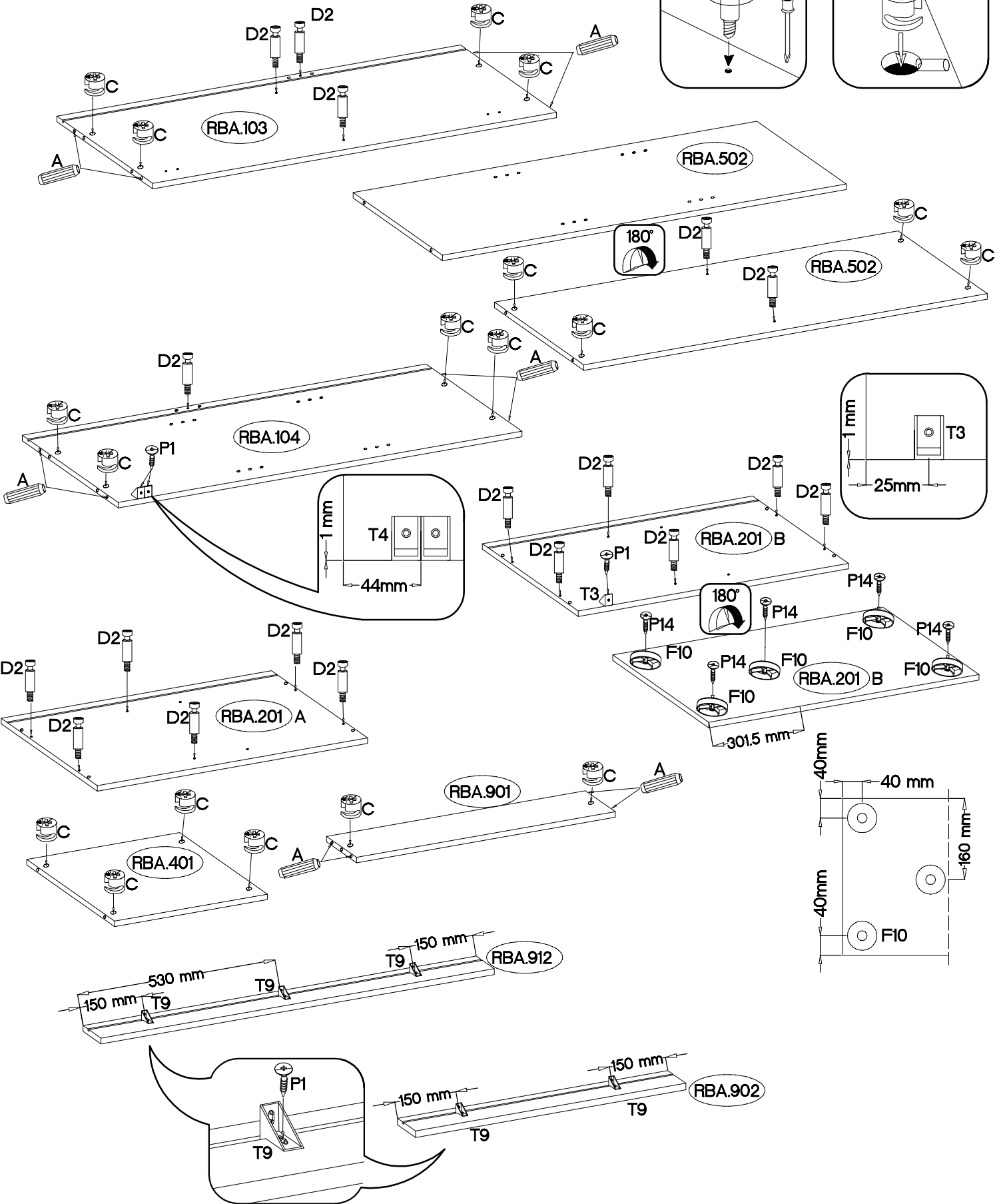
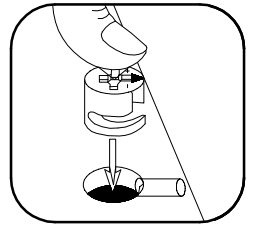
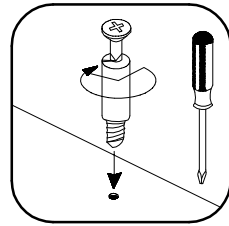
±5/16mm			±4.0x30mm	L=128mm
	J3	E		
8	16	16	2	1



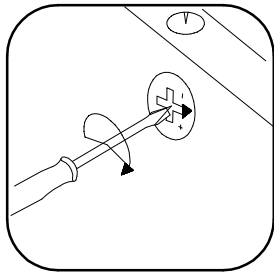
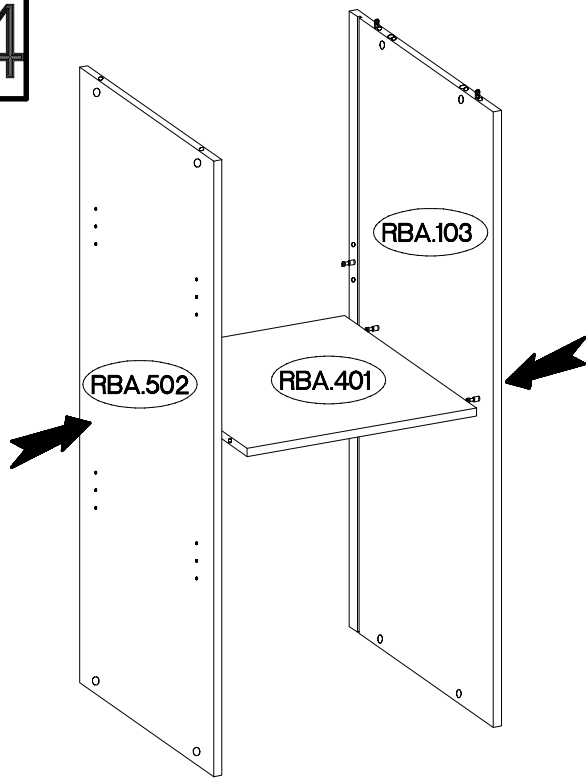


 O7 1	 L9 1	 F10 5	 P14 5	 H 2	 L2 7	 P5 5	 J12 8	 T9 5	 T4 1
 R2 2	 P1 16	 P7 7	 D2 18	 C 18	 A 12	 L 10	 S1 1	 E 16	 G 2

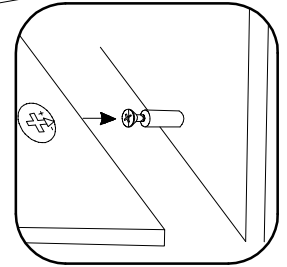
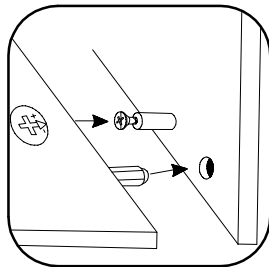
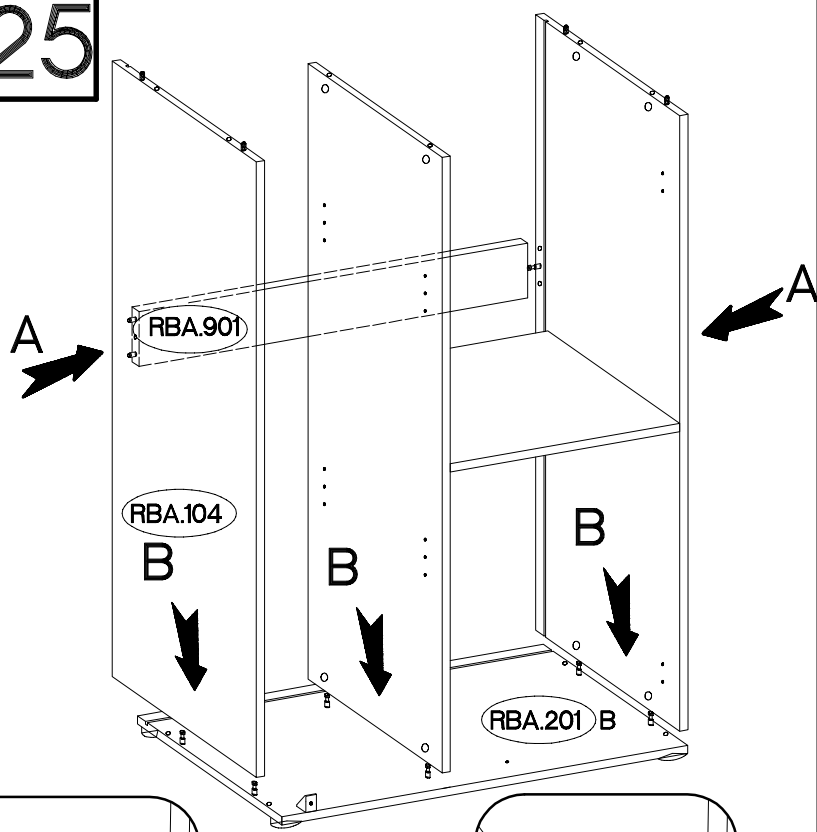
L=20mm  D2 18	±15/12mm  C 18	±8x30mm  A 12	 T9 5	 T4 1	 T3 1	±4.0x16mm  P1 8	 F10 5	±4.0x25mm  P14 5
--	---	--	---	---	---	--	--	---



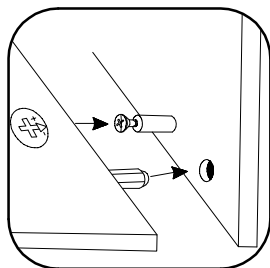
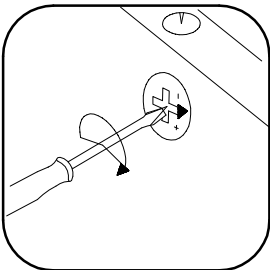
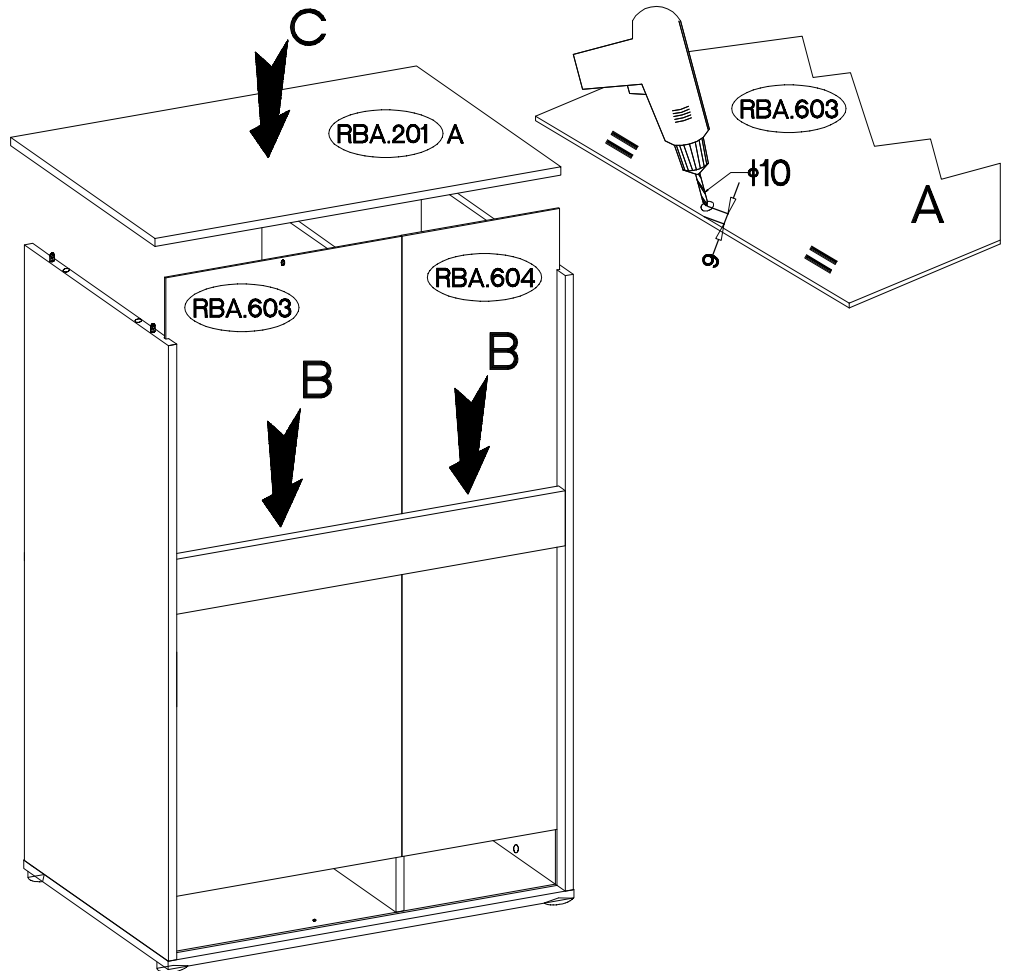
24



25



26



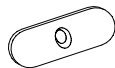
27

±3.0x20mm



P7

11



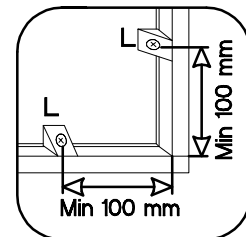
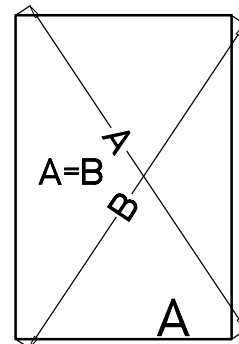
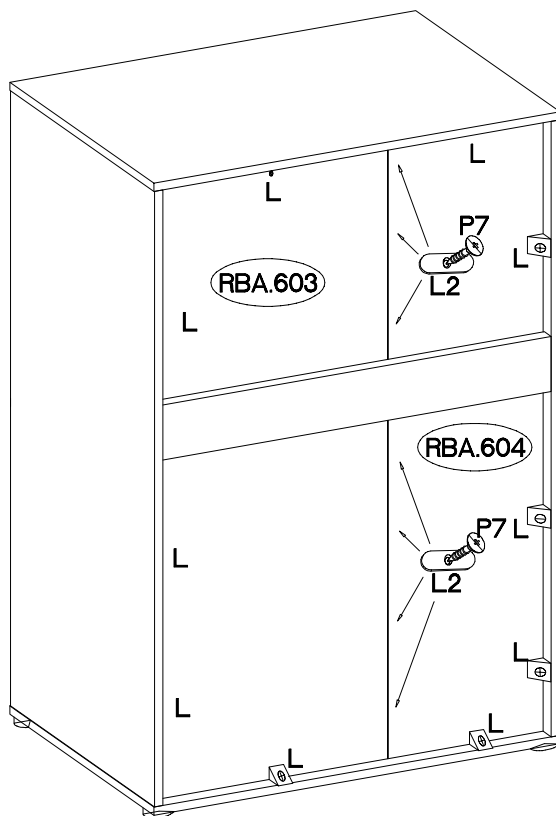
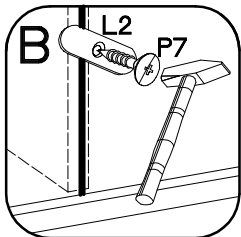
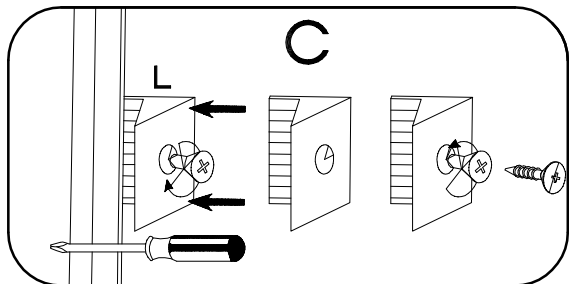
L2

7



L

10



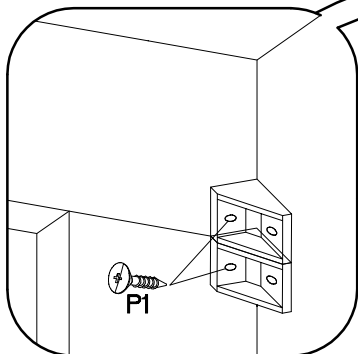
28

±4.0x16mm

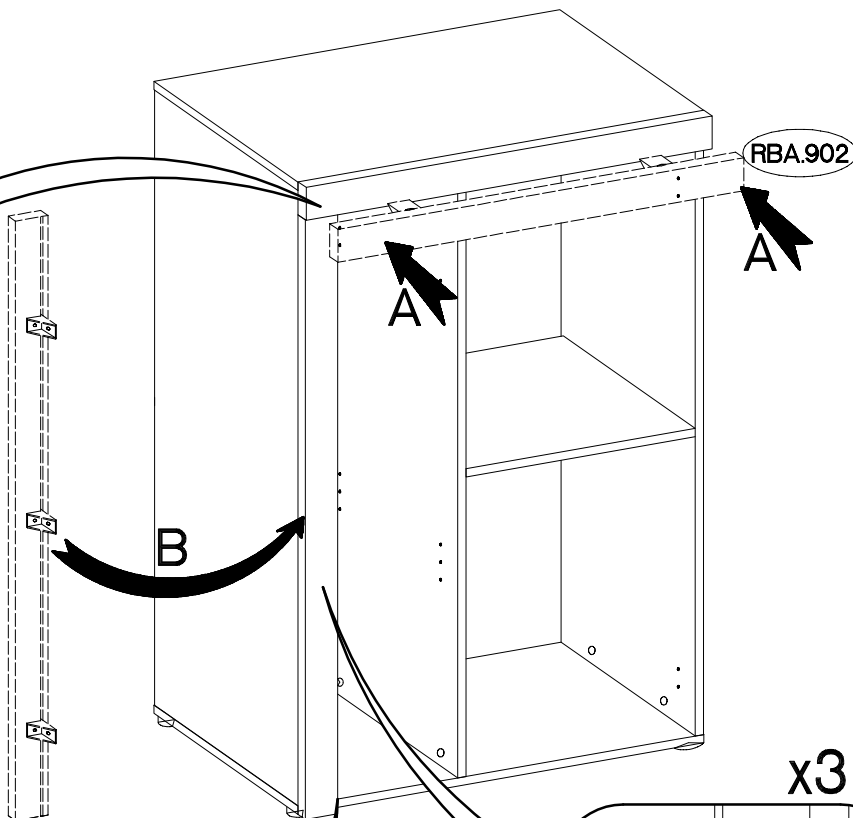


P1

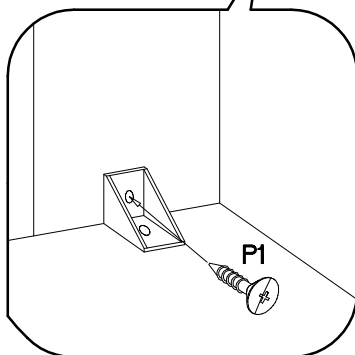
8



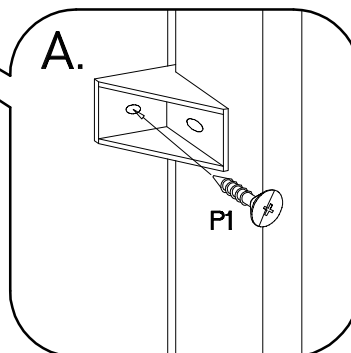
x1

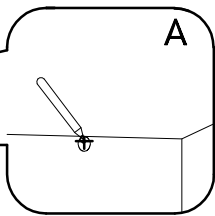





x1

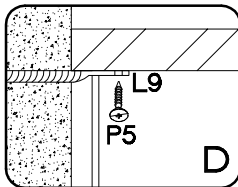
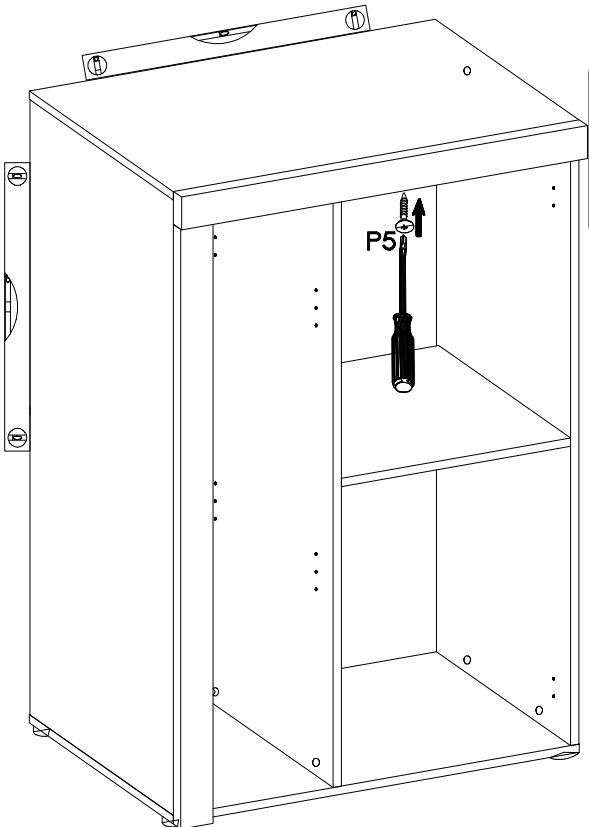
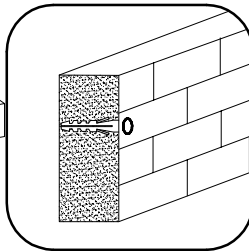
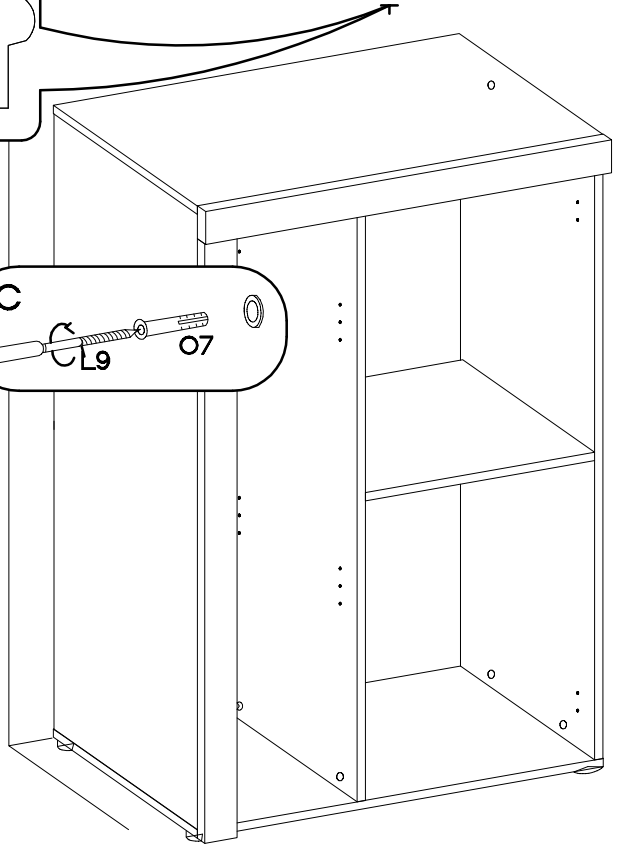
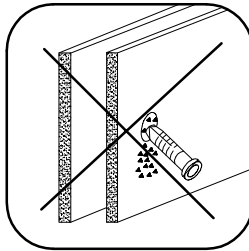
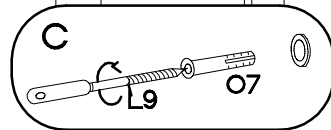
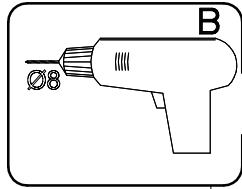
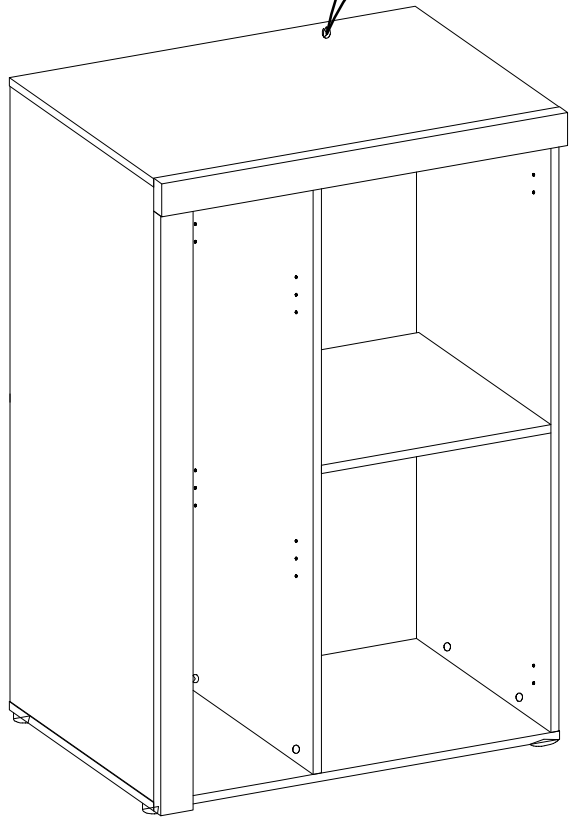


x3






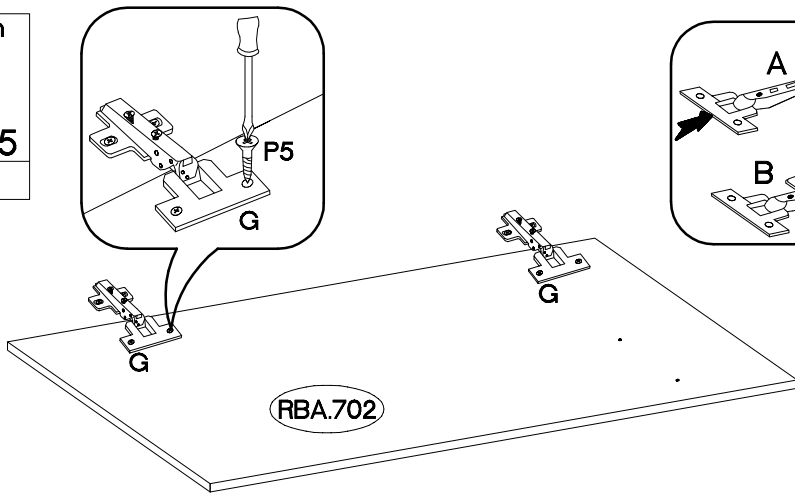


$\pm 10 \times 50 \text{mm}$  O7	 L9	$\pm 3.5 \times 13 \text{mm}$  P5
1	1	1




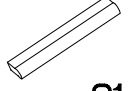


30

H=0  H	+35/0mm  G	+3.5x13mm  P5
2	2	4



31

 E	 J12	+4.0x30mm  R2	L=128mm  S1
16	8	2	1

